

D

Durasein

Let's get
started



Think of us as your creative partner

Hi, we're Durasein. We make solid surface for people with big, bendy, twisty ideas. Our founders love getting involved, influencing production, and dreaming up new applications for our surfaces. "This might sound crazy..." is our favorite brief.

We're here to give your ideas the support they deserve –without the fuss. Whether it's as simple as a sink, or your wildest design idea. We've got you covered. We're the creatives here to help you create. High quality materials. Top quality advice.

DM6009
Grape Green
Timeless
Collection

Soaring aesthetics and standout performance. It's every designer's feel-good combo.



Easy to clean

Low maintenance, stain resistant, and chemical resistant



Safe & protected

Food safe, non-toxic, non-porous, bacteria resistant, low VOC, and mold/mildew resistant



Tough as nails

Impact resistant, scratch resistant, heat resistant, and fire resistant



Built for dreamers

Limitless decors: seamless, thermoformable, and boundless ability in color and translucency



Smart surfacing

Renewable, reusable, repairable, and recyclable



Notable marks

GREENGUARD, GREENGUARD Gold, NSF-51, ISO 9001, USGBC, ISFA, and a 10-year warranty



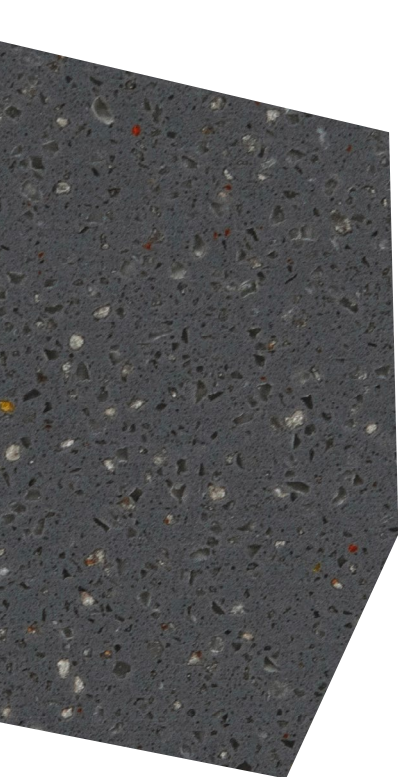


NEW
DM5043
Ever After
Dreamy
Collection

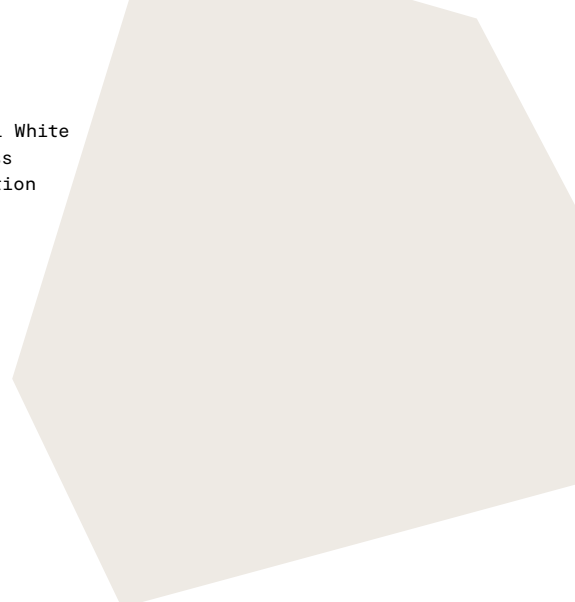


NEW
DM5025
Knight White
Lively
Collection

Dare to dream



DM1002
Natural White
Timeless
Collection



DM3016
Bellingham Grey
Timeless
Collection



NEW
DM5027
Blossoming
Lively
Collection



DM5016
Naturale
Balanced
Collection

The collections

From timeless neutrals to brilliant solid colors and more, we have a diverse array of solid surface options to suit nearly any aesthetic.

Take a look through our collection. You're sure to find a material match made in heaven.

Sheets

Our team specializes in the production of solid surface sheets and shapes - all created in a vast array of colors, sizes, and patterns. Reference the chart below for available widths and thicknesses.

| COLLECTION | SURFACE | 1/2"x30"x144" | 1/4"x36"x96" | 1/4"x60"x96" |
|--------------|-----------------|---------------|--------------|--------------|
| BALANCED | BIANCA SABBIA | ◇ | | |
| | GRIGIO | ◇ | | |
| | ICY GREY | ◇ | | |
| | NATURALE | ◇ | ◇ | ◇ |
| BRILLIANT | ALL SURFACES | ◇ | | |
| CHARMING | EVENTIDE | ◇ | | |
| | HARMONY | ◇ | | |
| | LUNA | ◇ | ◇ | ◇ |
| | NATURALLY | ◇ | | |
| | SERENITY | ◇ | | |
| DREAMY | ALL SURFACES | ◇ | | |
| LIVELY | ALL SURFACES | ◇ | | |
| ROOTED | ALL SURFACES | ◇ | | |
| TIMELESS | ARCTIC WHITE | ◇ | ◇ | ◇ |
| | BELLA VISTA | ◇ | | |
| | BELLINGHAM GREY | ◇ | | |
| | BONE | ◇ | ◇ | ◇ |
| | CHEZ LINEN | ◇ | ◇ | ◇ |
| | COAL | ◇ | | |
| | CONCRETE | ◇ | | |
| | CUMBERLAND | ◇ | | |
| | GLACIER TUNDRA | ◇ | | |
| | ICEBERG | ◇ | | |
| | NATURAL WHITE | ◇ | ◇ | ◇ |
| | NIGHTFALL | ◇ | | |
| | OAHU | ◇ | | |
| | ODYSSEY | ◇ | | |
| | PARTHENON | ◇ | ◇ | ◇ |
| | PLATINUM GREY | ◇ | | |
| SILVER FALLS | ◇ | | | |
| WHITEOUT | ◇ | | | |

*Availability is subject to change. Visit durasein.com/us for samples and information. Custom creations require a special minimum order quantity and extended lead-time.

Curated for creatives

With every style, shape, and color carefully curated to meet your needs, our solid surface is ready to be crafted or custom made into anything you can dream up.



Timeless



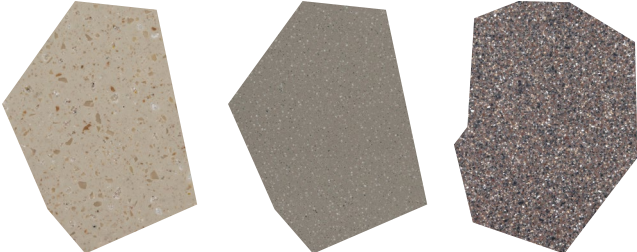
DM1004 Whiteout
DM1002 Natural White
DM3009 Odyssey



DM2002 Parthenon
DM3003 Cumberland



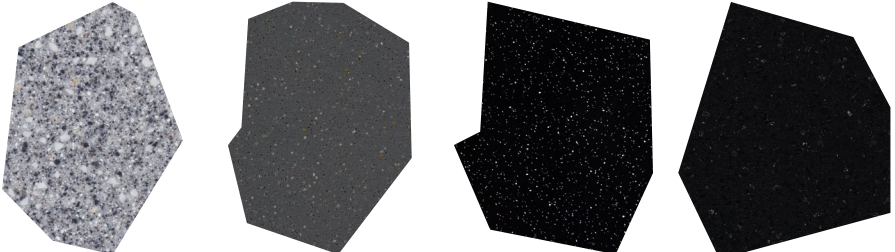
DM1001 Arctic White
DM3011 Glacier Tundra
DM3012 Silver Falls



DM3008 Bella Vista
DM3018 Concrete
DM2001 Oahu

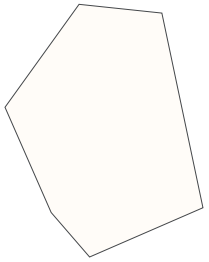


DM3015 Iceberg
DM2005 Chez Linen
DM1003 Bone

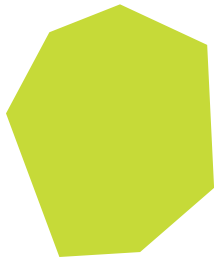


DM3005 Platinum Grey
DM3016 Bellingham Grey
DM2009 Coal
DM4001 Nightfall

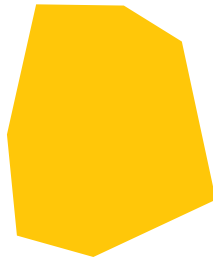
Brilliant



DM6005
Outre White



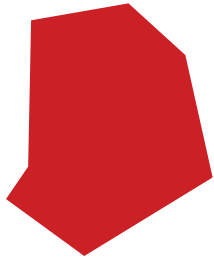
DM6009
Grape Green



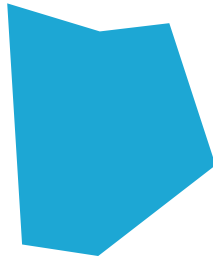
DM6002
Cheerful Yellow



DM6004
Energy Orange



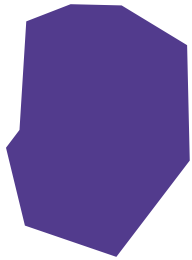
DM6001
Vitality Red



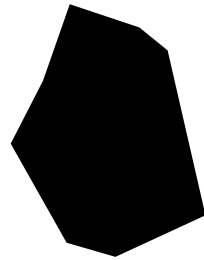
DM6008
Sea Blue



DM6003
Bliss Blue



DM6012
Spiritual Purple



DM6006
Nocturne



Balanced



DM5016
Naturale

DM5017
Grigio

DM5018
Bianca
Sabbia

NEW
DM5019
Icy Grey

Charming



DM5011
Harmony

DM5012
Serenity

DM5013
Naturally

DM5014
Luna

DM5015
Eventide

Lively



DM5001
Harbor
Mist

DM5002
Weathered
Wood

DM5003
Boardwalk

DM5004
Volcano

DM5005
Galaxy

DM5009
Royal
Carrera

DM5010
Victoria
Falls

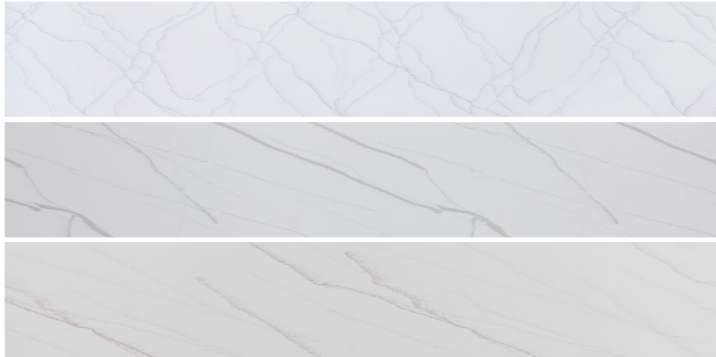
NEW
DM5025
Knight White

NEW
DM5026
Leaden

NEW
DM5027
Blossoming

Full sheet views shown below.

Dreamy



DM5042
Light Haze

NEW
DM5043
Ever After

NEW
DM5044
Sun Kissed

Rooted



DM5031
Hickory

DM5033
Barnwood

All environments shown are inspirational digital representations that give a visual sense of how creative you can get with our products in built environments. These images are not exact representations of design/production/installation specifics. If you would like to produce something similar, we can provide pointers or connect you with an industry-leading fabrication team.

Color, pattern, and veining may vary, but don't sweat it. Be sure to request a physical sample prior to final selection. We can't wait to see what you create!



Take a peek at our new looks...

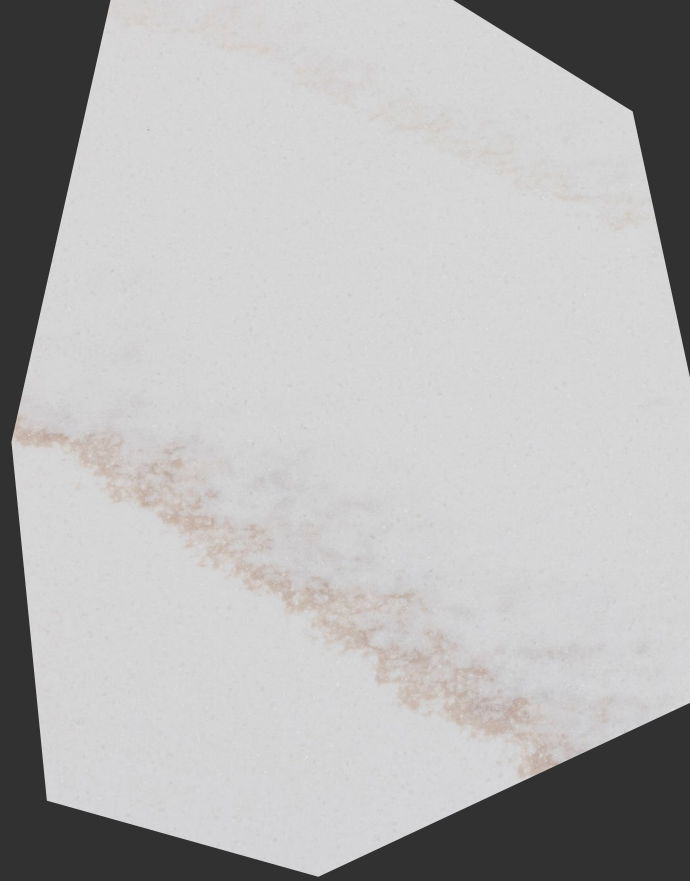
Add a little mysticism with streaks of moonlight dancing through the evening clouds.

NEW
DM5043
Ever After
Dreamy
Collection

Ever After



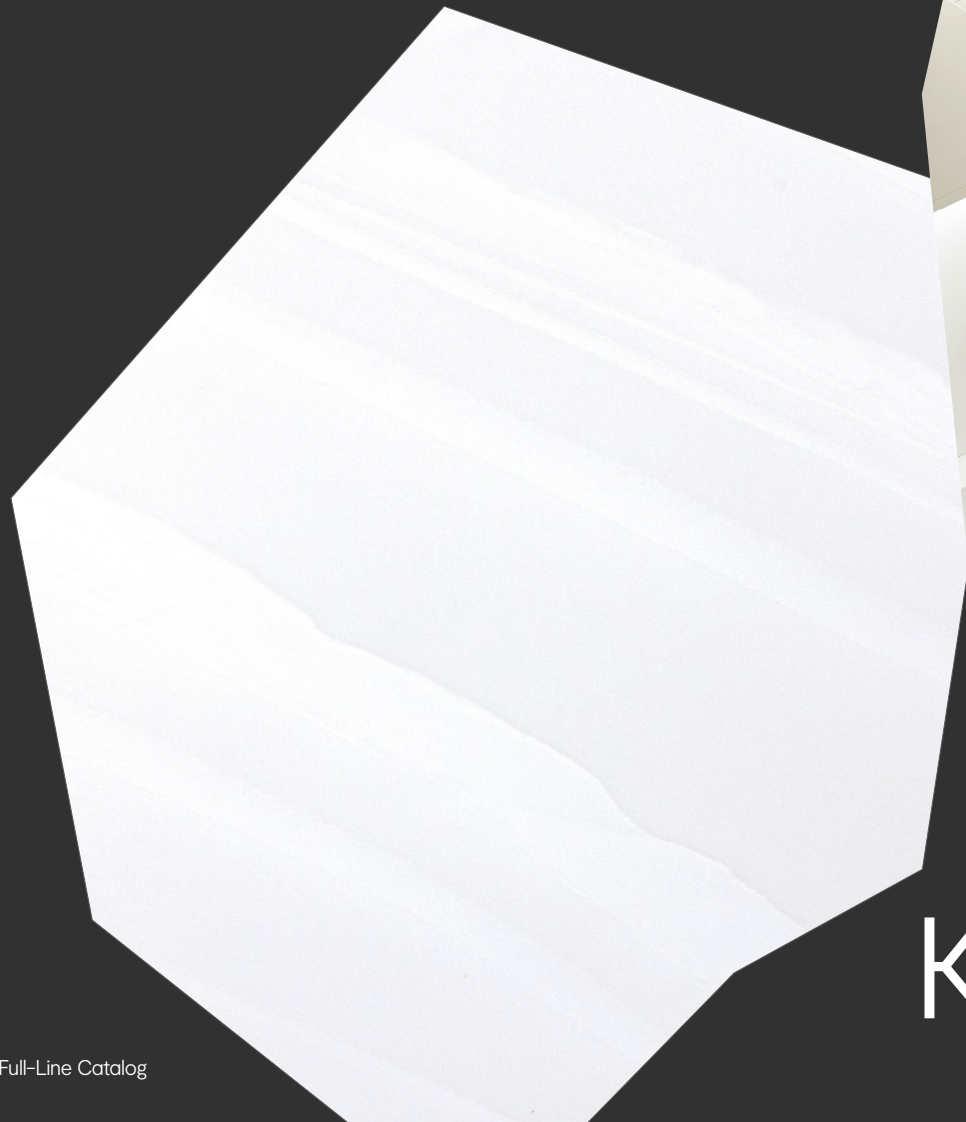
NEW
DM5044
Sun Kissed
Dreamy
Collection



Sun Kissed

Dare to dream on a grander scale with beautifully bronzed veins, sprawling across sunlit morning waves.

Your first quest leads you into a field of snow tinged with streaks of afternoon shadows.



NEW
DM5025
Knight White
Lively
Collection

Knight White



Blossoming

We heard this is the building material preferred by Michelangelo. Maybe a rumor.

NEW
DM5027
Blossoming
Lively
Collection



Leaden

I spy a piece of green sea glass, washed and worn into a weathered jewel.



NEW
DM5026
Leaden
Lively
Collection



Icy Grey

Chill out. Today's design forecast brings you a dusting of snow on a frozen pond.



NEW
DM5019
Icy Grey
Balanced
Collection

Sinks and skills— we've got both

From bathroom vanities to hospital essentials, we know sinks inside and out. We love collaborating to design and manufacture sinks for any application.

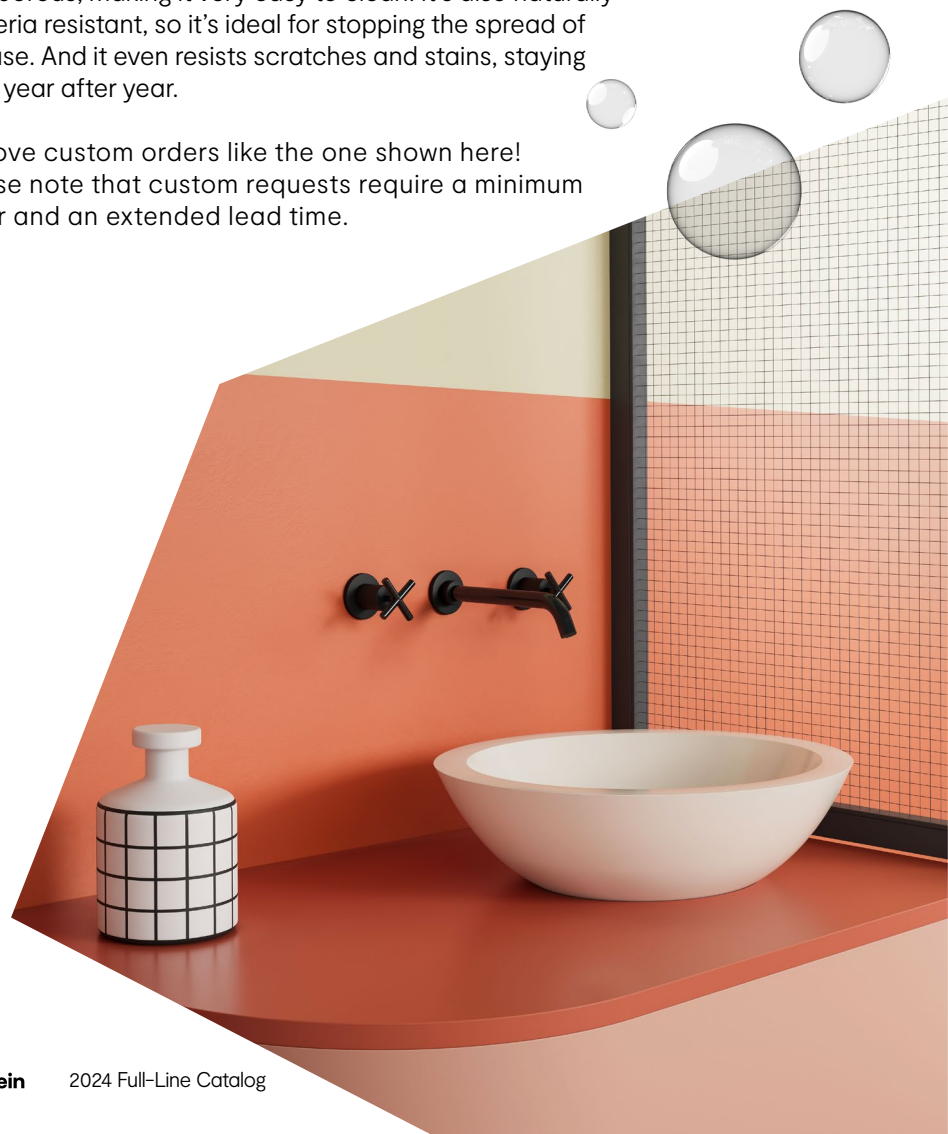
For us, design is every bit as important as function. Choose from our impressive array of stock designs, or ask our in-house custom sink design and production team to help create something especially for you.



Our sinks don't just appear beautiful, they're made to stay that way.

Durasein solid surface material is smooth, seamless, and non-porous, making it very easy to clean. It's also naturally bacteria resistant, so it's ideal for stopping the spread of disease. And it even resists scratches and stains, staying fresh year after year.

We love custom orders like the one shown here! Please note that custom requests require a minimum order and an extended lead time.



The fine print

Features and benefits

- 100% acrylic
- Easy to clean
- Non-porous
- Stain resistant
- Mold and mildew resistant
- Suitable for residential and commercial applications

Available colors



Please ask for a product sample because the actual color may be different than the color shown here.

Installation tips

- Undermount or top mount
- No faucet holes
- Drain assembly not included

Codes/Standards/Tech Info

- Durasein solid surface sinks and lavatories are certified by Home Innovation Research Labs and tested in accordance with CSA B45.5/IAPMO Z124
- All dimensions are nominal
- Details and specifications are subject to change
- ADA compliant when installed in accordance to ADA guidelines

Durasein Limited Time Warranty

- 10-year limited warranty against manufacturing defects under normal use.

See website for detailed warranty information. Durasein reserves the right to make reservations without notice to product specifications. For the most current information, go to durasein.com/us.

Introducing: The Ansel

Capturing beauty and grandeur with a striking sense of depth.



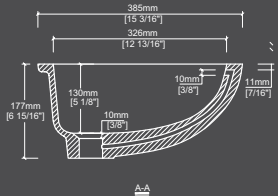
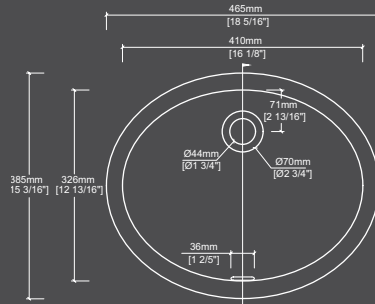
DLB402

DLB401A
(overflow)



Our in-stock sinks

The Frida (overflow) DLA104A



Features and Benefits

- Integral overflow: yes

Installation tips

- Drain hole size: 1 3/4"

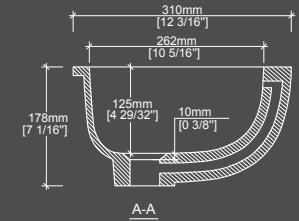
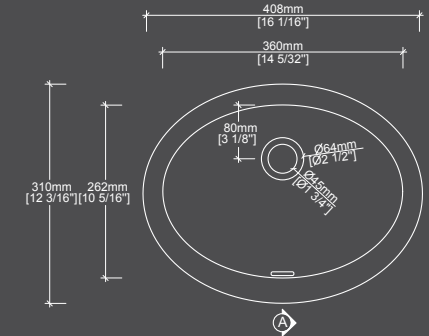
TOLERANCE $\pm 3/16''$

W 18 5/16"

H 6 15/16"

L 15 3/16"

The Euro (overflow) DLA360A



Features and Benefits

- Integral overflow: yes

Installation tips

- Drain hole size: 1 3/4"

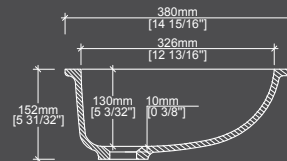
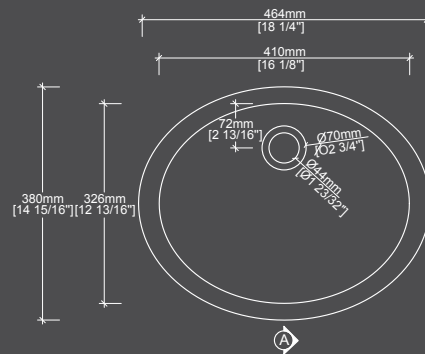
TOLERANCE $\pm 3/16''$

W 16 11/16"

H 7 1/16"

L 12 3/16"

The Frida DLA359



Features and Benefits

- Integral overflow: no

Installation tips

- Drain hole size: 1 23/32"

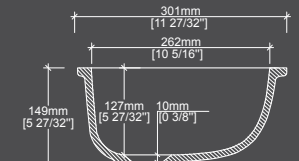
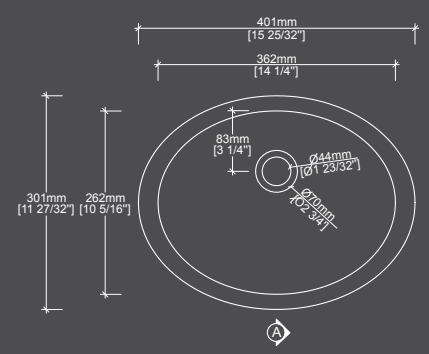
TOLERANCE $\pm 3/16''$

W 18 1/4"

H 5 31/32"

L 14 15/16"

The Euro DLA354



Features and Benefits

- Integral overflow: no

Installation tips

- Drain hole size: 1 23/32"

TOLERANCE $\pm 3/16''$

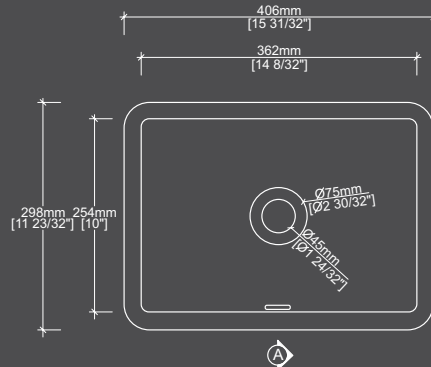
W 15 25/32"

H 5 27/32"

L 11 27/32"

Our in-stock sinks

The Ansel (overflow) DLB401A



Features and Benefits

- Integral overflow: yes

Installation tips

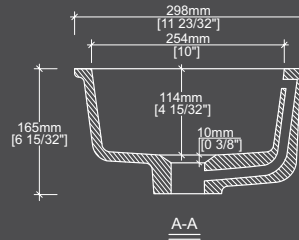
- Drain hole size: 1 24/32"

TOLERANCE ±3/16"

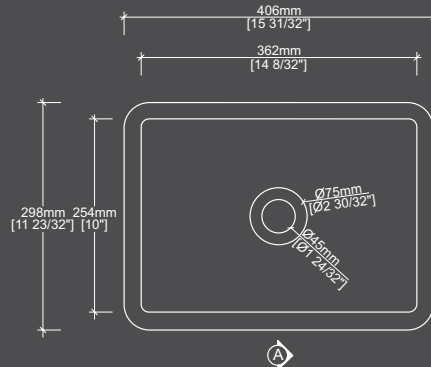
W 15 3 1/32"

H 6 1 5/32"

L 11 2 3/32"



The Ansel DLB402



Features and Benefits

- Integral overflow: no

Installation tips

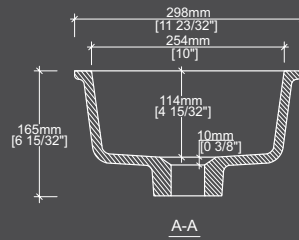
- Drain hole size: 1 24/32"

TOLERANCE ±3/16"

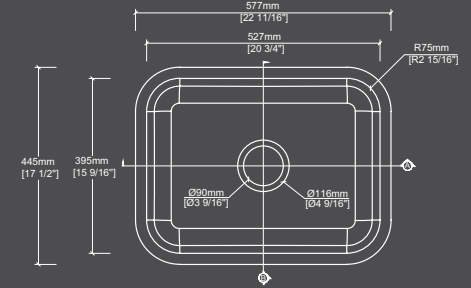
W 15 3 1/32"

H 6 1 5/32"

L 11 2 3/32"



The Vincent DLD125



Features and Benefits

- Integral overflow: no

Installation tips

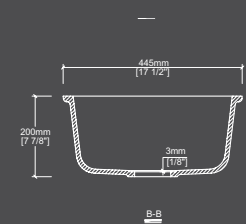
- Drain hole size: 3 9/16"

TOLERANCE ±3/16"

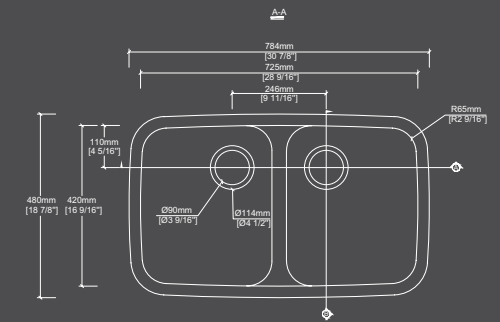
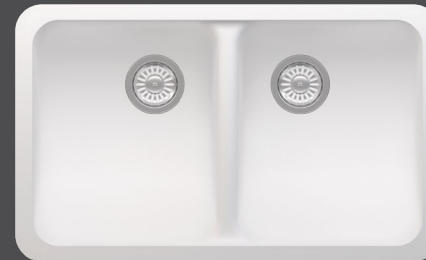
W 22 1 1/16"

H 7 7/8"

L 17 1/2"



The Henri DLD202



Features and Benefits

- Integral overflow: no

Installation tips

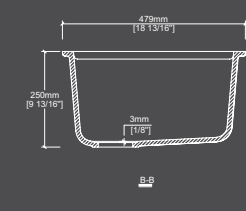
- Drain hole size: 3 9/16"

TOLERANCE ±3/16"

W 30 7/8"

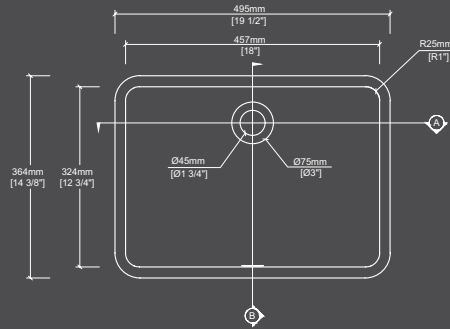
H 9 1 3/16"

L 18 7/8"



Our in-stock sinks

The Andy (overflow) DLB379A



Features and Benefits

- Integral overflow: yes

Installation tips

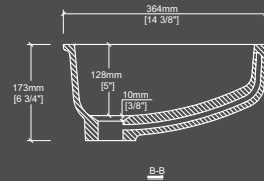
- Drain hole size: 1 3/4"

TOLERANCE $\pm 3/16"$

W 19 1/2"

H 6 3/4"

L 14 3/8"





Your creative kit of parts

From the trim to the wall, our shower system has it all! We've tailor-made this all-in-one solution to include everything you'll need and nothing you don't. Each piece fits seamlessly together for almost any application and is offered in seven of our solid surface decors.

Our system includes an extensive range of shower pans, panels, trim and caddy accessories—everything needed to bring your design concept to reality.

Whether it's a commercial gig, renovation or new build, we've got all of the components necessary to help you get the job done right.

Want to learn more? Visit durasein.com/us/showers.



THE DETAILS

Thermo -forming

Want dimension? You got it. Through the magic of thermoforming, we can coax our material into all sorts of bendy, twisty, curvilinear forms.



& Adhesives

We put our hearts into making every inch of our material drop-dead gorgeous and the same goes for our adhesives. Perfectly matched to every color in Durasein's material library, our adhesives create seams without a trace, offer the long-lasting performance you need to comply with our warranty, and are low-VOC and GREENGUARD Gold certified.

With our solid surface, seams are as close to invisible as humanly possible! Eliminating seams makes our surfaces visually monolithic and eradicates any nooks or crannies where crumbs, dirt, and bacteria can hide.

D.Lab



The unbelievable made real

This is our place for the incredibly innovative. Our experimental haven for daring designers and dreamers. Where we cut through rigidity to help creativity flow—spreading joy, talent and beauty.

Looking for a cool custom piece? Want to make magic with our material? D.Lab is where we push the limits of creativity and make the impossible, well, possible.

So let's bring those ideas in your head to life. Join us to learn from other legends, get inspired, and team up. And turn your craziest ideas into reality.

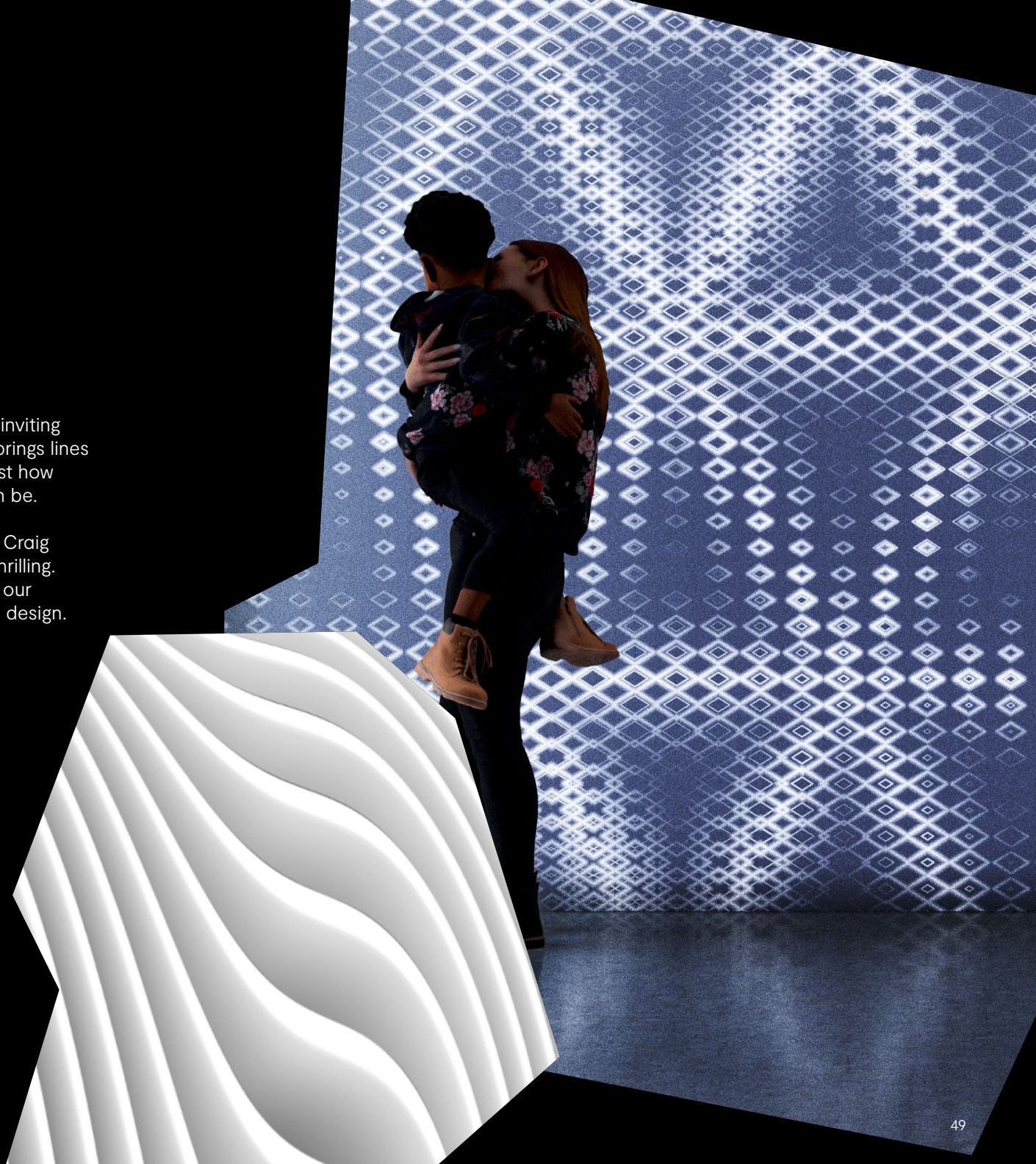
Find out more about what's going on in the Lab at durasein.com/us/d-lab.

COLLABORATION IN ACTION

D.Lab x Patternine

Totally entrancing. Magnifyingly mathematical. And equally inviting to see and touch. The Durasein x Patternine collaboration brings lines to life, letting us flex our fabrication muscles to show you just how incredible—and dimensional—our solid surface material can be.

Partnering for our latest collection with acclaimed designer Craig Woehrle, founder of Patternine, has been nothing short of thrilling. By CNC-machining Woehrle's algorithm-driven designs into our material, we've created a tangible expression of parametric design.



It's not magic. Promise.

Okay, sure. Not just anymore can bring complex parametric to reality. That's why we are assembling an all-star team of the world's most innovative and decorated fabrication teams within our D.Fab family.

Rest easy knowing this elite group has not only the equipment and know how, but also the creative edge to make any project featuring our parametric system a reality.



Innovator

Industry-leading fabricators experienced with thermoforming and CNC



Patternine Preferred
Innovators partnering with Patternine



Maker

Fantastic full-time fabricators



Tinkerer

Small-scale side hustlers



Let's make something amazing



Healthcare

Comfort, safety, and convenience are critical when it comes to our work in healthcare.



Workplace

Creative, collaborative or considered—we fit the style and purpose of your workspace, whatever it might be.



Hospitality

Simple, stylish, and sophisticated. We're suited for the best in class.



Residential

Your home is your castle. And your wish is our command. Just what you want—a little extra every step of the way.



Education

From the calm to the hectic. We're helping create the right environment for tomorrow's minds today.



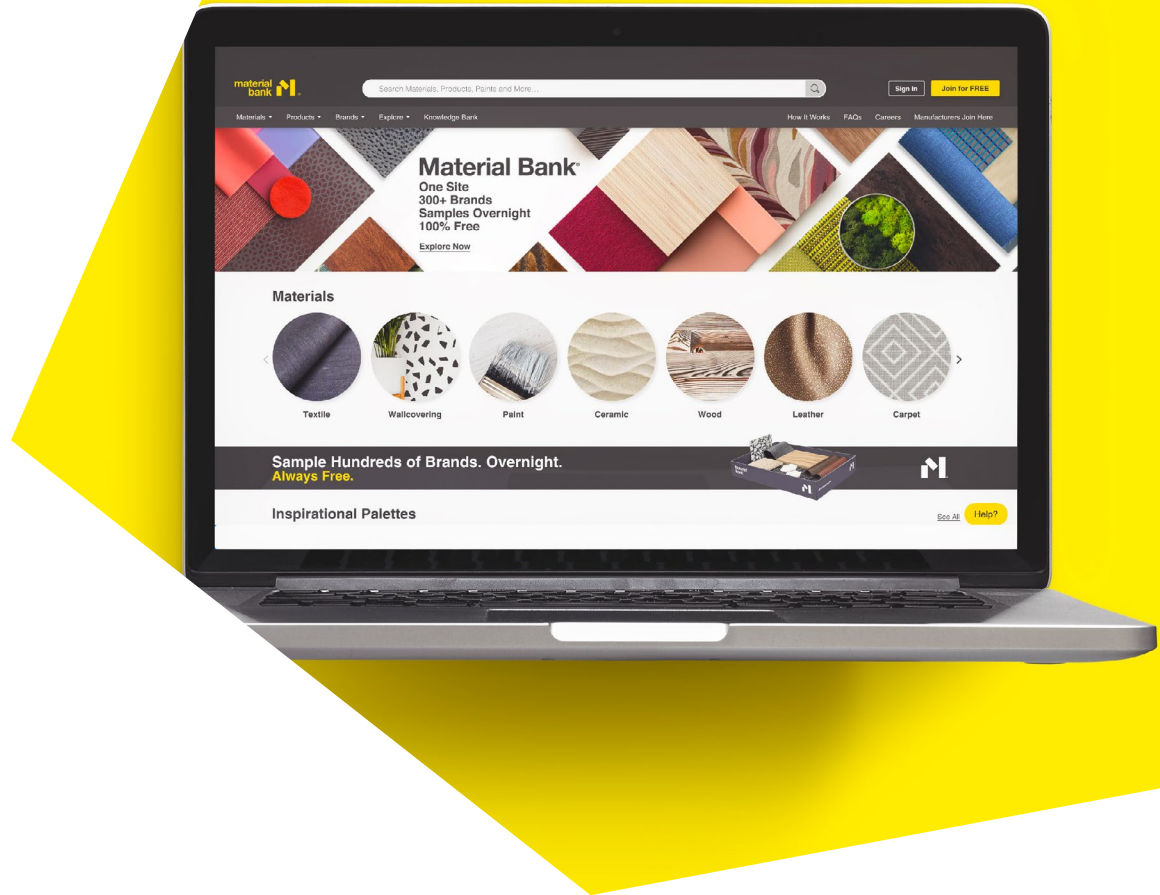
Retail

We work to always add to the customer experience. From start to finish.

THANKS TO OUR PARTNERS

Explore, share, & collaborate

One look at our stunning solid surface, and you'll want to sample it, so we've made it easy. Just search for Durasein on Material Bank or Swatchbox, and they'll ship free samples to your door. You can also find specs and data for US products in the Durasein BIM library at BIMsmith.





Let's talk

Got a question? We're always a phone call away and online anytime.

Customer support
info@durasein.com
866.509.6469

@duraseinsolidsurface
durasein.com/us
materialbank.com/durasein



US - General 01.24