



PRODUCT CATALOGUE

INTRODUCING: TRISTONE UK

tristonesolidsurfaces.uk

LONG CRENDON



LATONA
TS116

Contents

About Us	5
Our Product Portfolio	6
#YourTristoneCreation	8
Project Support	10
Display Support	12
Tristone Solid Surfaces	14
Applications	16
Colours of Tristone	18
Technical Specifications	20
Case Studies	22
SYNCRO Inlay Stainless Steel Sinks	28
Cast Sinks and Bowls	34
Thermoformed Range	40
Thermoformed Sinks	44
Thermoformed Bowls	46
Thermoformed Basins	48
Thermoformed Top Drop Basins	50
Thermoformed Wash Troughs	51
Sink Compatibility	52
Sink and Bowl Accessories	53
Tristone Accessories	54
Farecla Accessories	56
Unika Accessories	57
Image Credits	58



UNI. OF HULL



PURE WHITE
(A104)

ABOUT US

'Work together, win together'

Established in 2001, Tristone UK Limited is the sole distributor of Tristone® Acrylic Solid Surface sheets, sinks and adhesives in the UK and Ireland.

We aim to work closely with clients offering full support through the supply of samples, literature, technical assistance, customer care and project support. As well as offering practical advice to fulfill every requirement for the solid surface market.

Based in Stockton-On-Tees, we have a wealth of experience and have built up trust within the industry due to our commitment to offering the best service to all our customers.

WHY CHOOSE TRISTONE UK?

We know the solid surfacing market changes frequently. As design trends change, we try to work to bring in new colours and products to stay ahead of those trends. We pride ourselves in providing high quality products, and we aim to go above and beyond to provide the best service for our customers.

Available in over 40 colours, we have refined and perfected our colour range. We wanted to simplify the process of choosing the colour of your Tristone® creation by selecting the best colours from the Tristone® range. Our hand picked colours offer a beautiful finish no matter what the application may be.

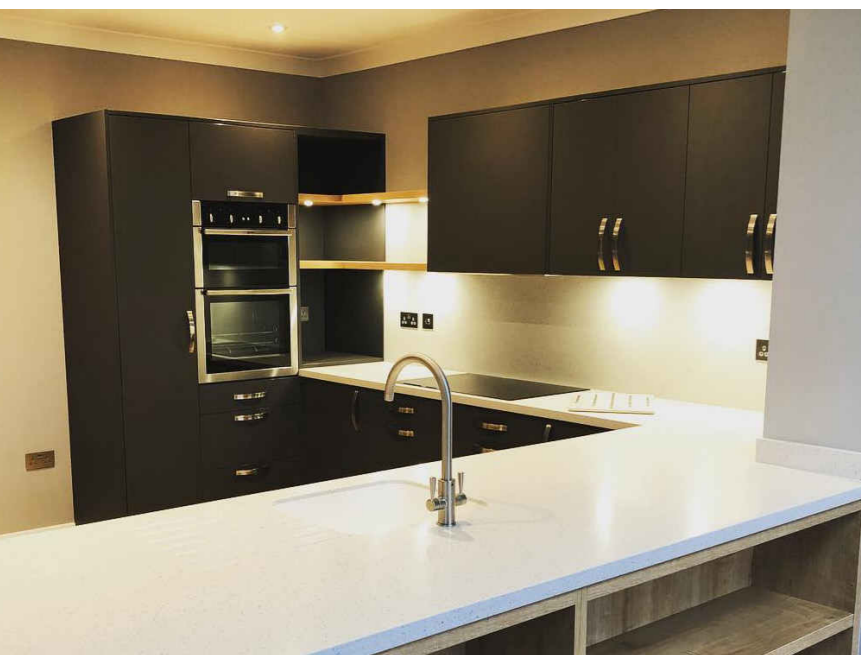
The three cornerstone objectives of our business are to provide high quality products and high quality services at competitive prices.



OUR PRODUCT PORTFOLIO

With multiple product ranges, we can provide a comprehensive solution for **#YourTristoneCreation**. From Thermoformed Wash Troughs, to Inlay Stainless Steel Sinks, our product portfolio is always improving and getting better.

- Tristone Acrylic Solid Surfaces
- Cast Sinks
- SYNCRO Inlay Stainless Steel Sinks
- Thermoformed Sinks, Bowls & Basins
- Thermoformed Wash Troughs
- Solid Surface Accessories
- Farecla Accessories
- UNIKA Accessories
- Care and Maintenance Kits
- Sink Waste Kits



THINK **OUTSIDE**
THE BOX
AND DISCOVER
NEAR
LIMITLESS
DESIGN
POTENTIAL



MAKE #YOURTRISTONECREATION
A REALITY

THE ONLY LIMIT IS YOUR
IMAGINATION



PROJECT SUPPORT

We offer professional technical advice and aftercare support to end users, fabricators, architects and specifiers.

Work with Tristone UK Limited and our team of Solid Surface professionals throughout Tristone Solid Surface's lifecycle.

- Project Management
- Professional technical support
- Tristone approved fabricator network
- Custom colours to match your specification
- Professional aftercare support
- Sheet reservations and call off orders
- Colour Match Your Products
- Fast lead times
- Project pricing



Amelia Hallsworth Photography

 Amelia_Hal

Restaurant & Bar Design Awards 2019
Pure White (A104)

DISPLAY SUPPORT

We are committed to supporting fabricators, kitchen retailers and independent kitchen showrooms.

As part of this commitment we provide display support and an additional social media presence. We truly believe that by working together, we can win together.

- Free Issue Sheet Materials
- Free Issue Cast Sinks
- 50% Discount on our SYNCRO Sinks
- 50% Discount on our Thermoformed Range
- Image Credits and Location Tagged Social Media.



Kent Blaxill, Essex
Frost Quartz (F111)











WHAT IS TRISTONE?



Tristone® is an acrylic solid surface, the ideal material that combines practicality, durability, and elegance. It is the perfect material that enables you to create a one-of-a-kind design for limitless self-expression and design possibilities.

Tristone® is seamless, non-porous, resistant to heat, moisture and bacteria. Tristone® can be thermoformed and joined seamlessly. Additionally, inconspicuous joins, integrated sinks, bowls and covered upstands make Tristone® the perfect choice for both residential and commercial applications.

The design potential for Tristone® is limitless.

- | | |
|---|--|
|  Easy to Clean |  Thermoformable |
|  Repairable |  Non Porous |
|  Practically Seamless |  Heat Resistant |
|  Recyclable |  Food Safe |
|  Colour Match Products Available |  Dark Scratch (Nebula) Technology Available |

Backlighting

Add a new dimension to your Tristone Creation.

Discover the benefits of backlighting with our new Translucent colour range. From prominent and bold light installations to subtle backlighting, Tristone is the ideal product for the practical minded individual.

Future-Proof

Change the way your surface works for you.

By integrating upcoming technologies such as wireless charging and pop up plug sockets into the surface, you can make your Tristone creation future-proof. We offer the flexibility that comes with solid surface products at an affordable price.

Dark Scratch Technology

Our Nebula range scratches darker than conventional solid surface colours. This darker scratch is less visible meaning that you can achieve things that may not be possible with other dark solid surface colours.

Colour Matched to Near Perfection

Find your colour, match your products.

Colour match all your products for a near seamless all-in-one design solution.

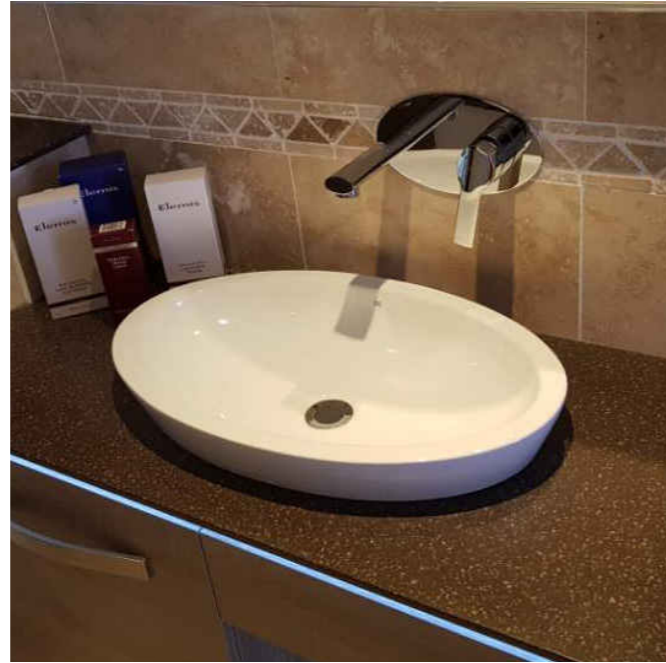
Perfect for Large Projects

No colour? No problem!

Specifying colours can be hard when you have a colour in mind. This is why we work with colour scientists at Lion ChemTech to create custom colour solutions that can meet specific design requirements. This is because Tristone colours are customisable, and bespoke colours can be developed for special projects.



NSF/ANSI
Standard 61

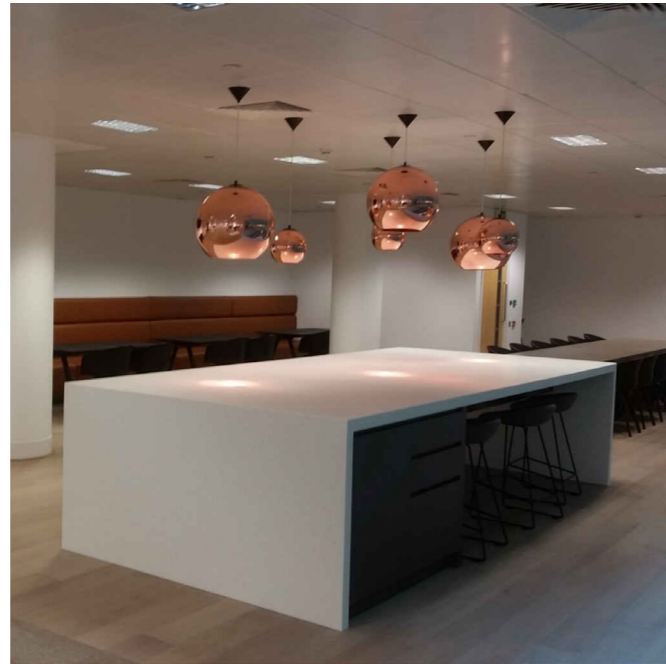
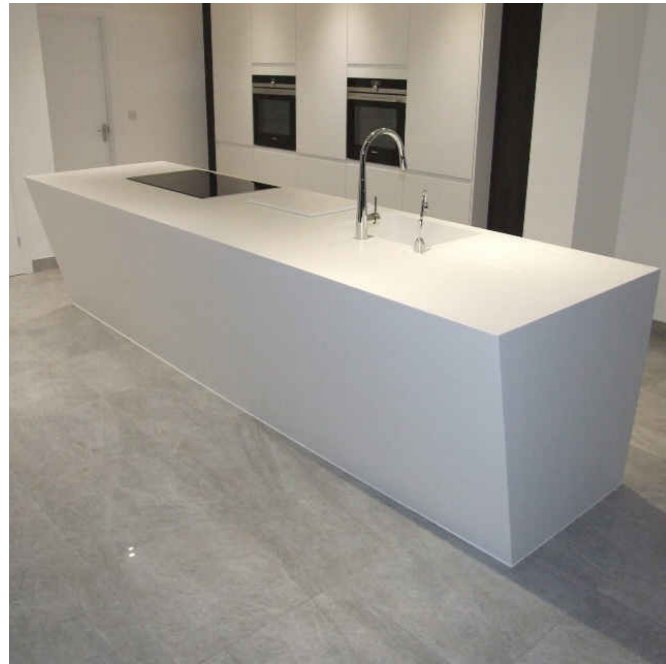


KITCHEN

Reimagine your home with our Tristone products ranging from sheet materials to Cast, Stainless Steel and Thermoformed Sinks.

BATHROOM

With our cast bowls, and thermoformed wash troughs, bowls and basins, we are diversifying our range and giving you more options for near limitless self expression.



BESPOKE

Tristone is the bespoke choice for the practical minded individual. It is easy to repair and thermoform meaning you can create specialist projects and products.

COMMERCIAL

Tristone's non-porous acrylic surface can prevent the growth of bacteria and other harmful germs making it the perfect solution for commercial applications.

01

MAKE IT BEAUTIFUL

Tristone Acrylic Solid Surfaces are a beautiful solution for the practical minded individual.



02

MAKE IT RIGHT

With our Tristone Approved Fabricator network, you can be assured that your design project will be completed to a high quality.



03

MAKE IT YOURS

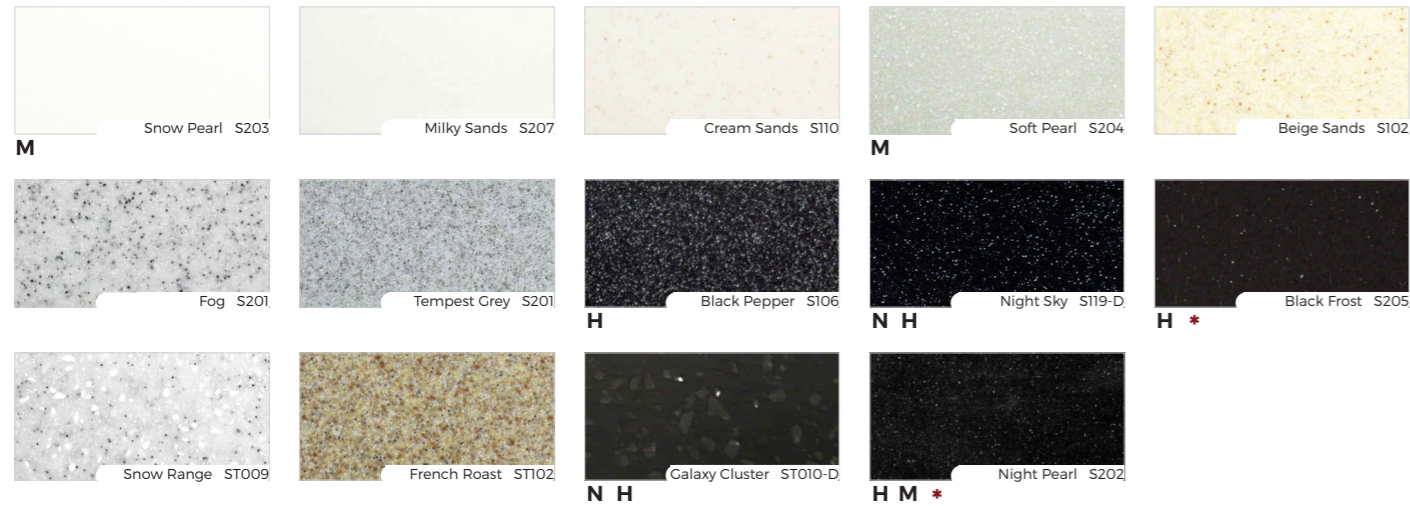
We want #YourTristoneCreation to be special. Individual. Yours. The design possibilities of Tristone are near limitless, and we offer many products to make your future design project a reality.



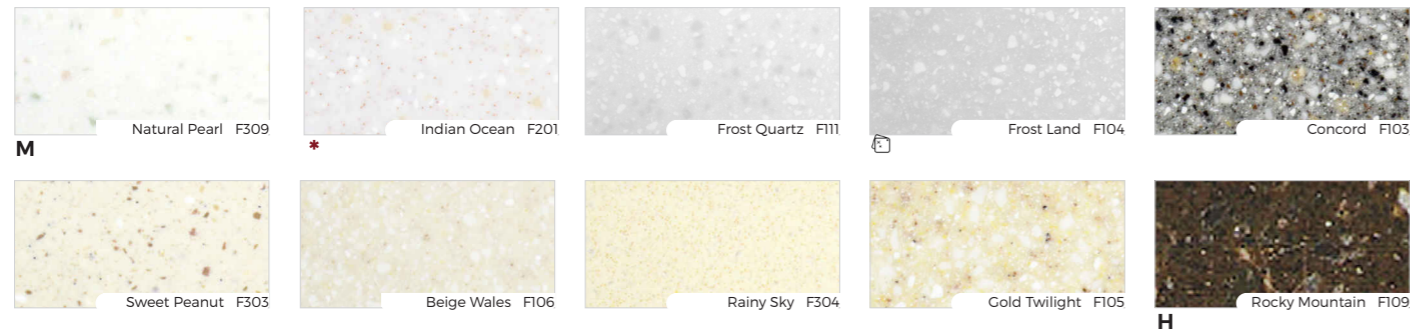
Solid Colours



Small and Medium Chips



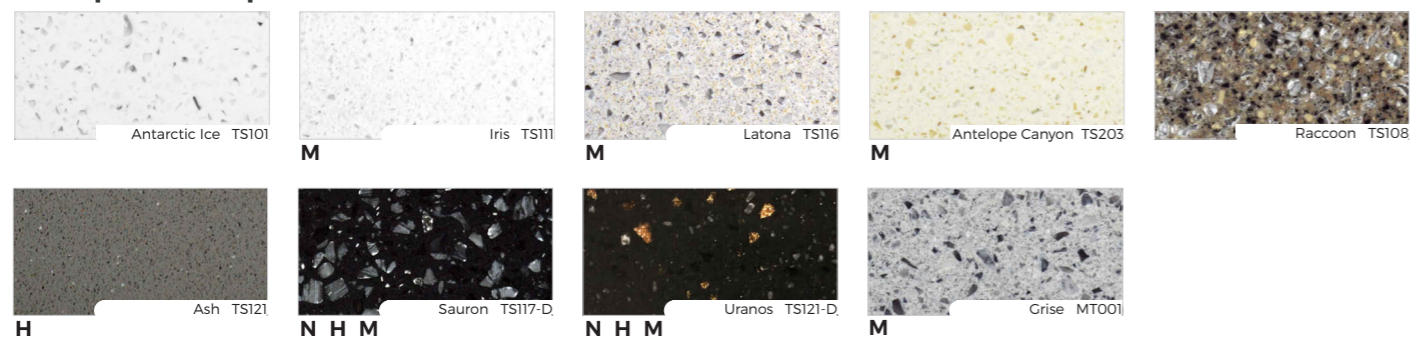
Large Chips



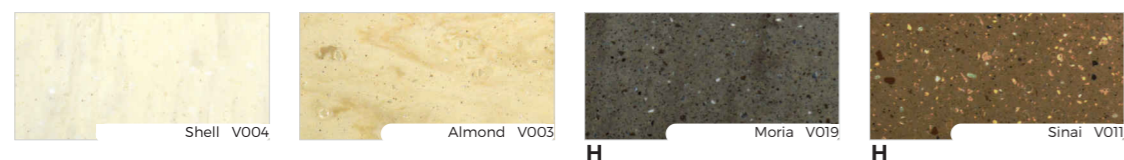
UP Chips



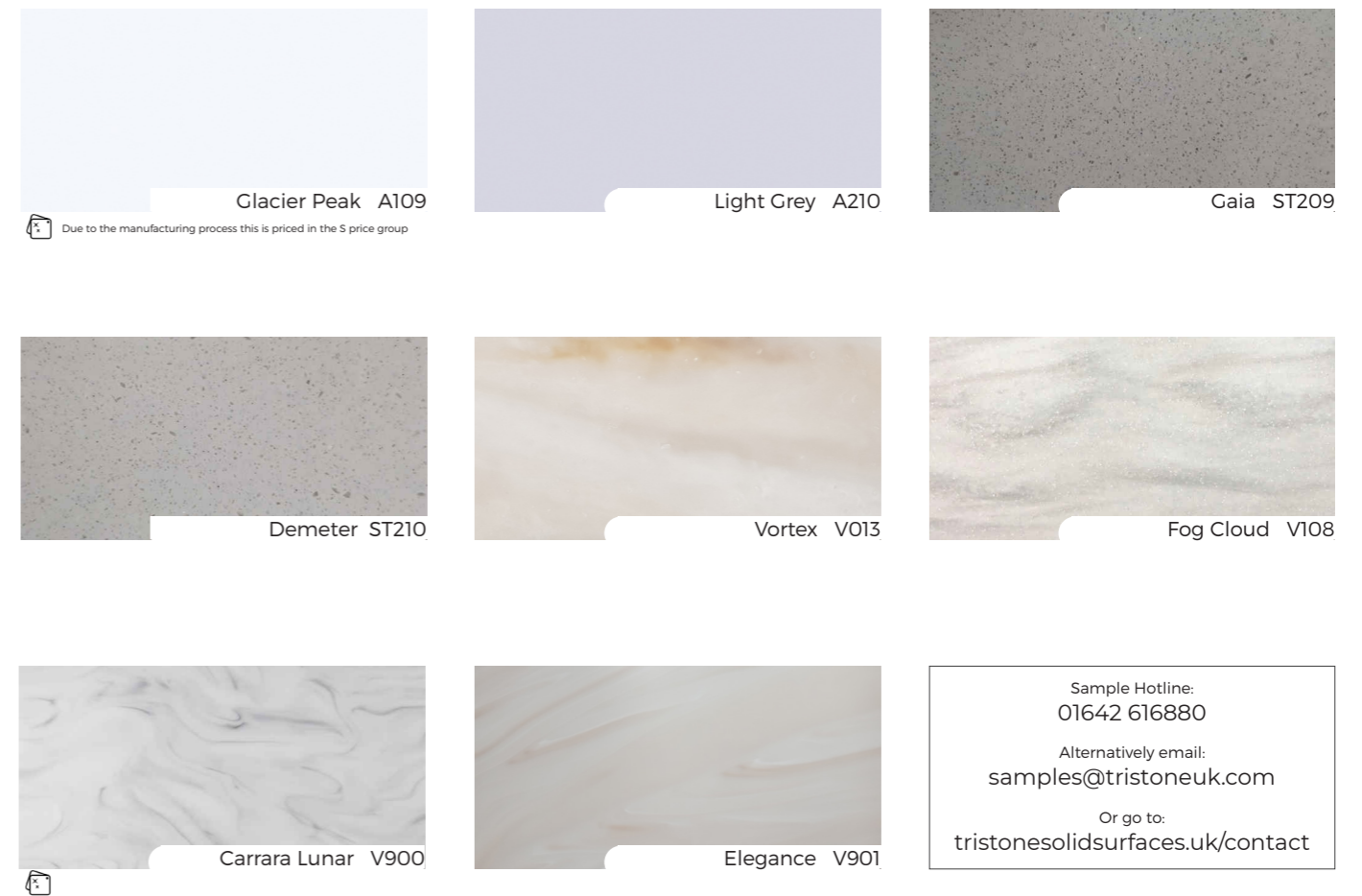
Transparent Chips



Marbled Colours



NEW COLOURS OF TRISTONE
THE 2019 COLLECTION



Sample Hotline:
01642 616880
Alternatively email:
samples@tristoneuk.com
Or go to:
tristonesolidsurfaces.uk/contact

- * Limited Availability
- 📦 Translucent Colours
- ☀️ UV Resistant sheets available*
- N** Dark Scratch Colours
- H** High Maintenance
- M** Metallic Chips

Standard Sizes
All sheets available at 760mm width
6mm Pure White Only
12mm All UK Colours

Special Projects and Sizes

- 19mm thick sheets available.
- 930, 1350 and 1520mm wide sheets available.
- UV Resistant sheets available.

Please Note: All special project items are subject to longer lead times. For more information please get in touch with the office directly.



PURE WHITE
(A-104)

Technical Specifications

Item	Lion ChemTech	Standard Applied	Item	Lion ChemTech	Standard Applied
Water Absorption Coefficient	0.03% (24hrs) 1/2" Sheets	ASTM D570	Colour Stability	No change - 200 hours	NEMA LD-3
Hardness Test	92 Rockell M Scale	ASTM D785	Thermal Resistance	No change	NEMA LD-3
Hardness Test	63 Barcol Impressor	ASTM D2583	Boiling Water Resistance	No change	NEMA LD-3
Pencil Hardness (HRM)	92	KS D 6711	Stain Resistance	Pass Rating 41	ANSI Z 124
Izod Impact Strength	.26ft-lbs/in of notch	ASTM D256	Food Zone Acceptability	Accepted/Listed	NSF 51
Tensile Strength	6500 psi	ASTM D638	Fungi and Bacteria	No Growth	ASTM G21
Tensile Modulus	1.4 x 10 ⁶ psi	ASTM D638	Specific Gravity - Solid Colours	1.74	
Ball Drop	>125" 1/2lb steel ball	NEMA LD-3	Specific Gravity - Other Colours	1.69	
Flexural Strength	10000 psi	ASTM D790	Wear and Cleanability	Pass	
Flexural Elastic Modulus	1.30 x 10 ⁹	ASTM D790	Flammability	Class 1	UBC 8-1
Elongation	0.73%	ASTM D638	Flame Spread	0-25	ASTM E84
Thermal Expansion Coef. (°C)	3.5 x 10 ⁻⁵	ASTM D696	Smoke Density	<25	ASTM E84
Weatherability	No change - 1000 hours	ASTM D1499	Radiant Heat Resistance	No Visual Effect	
Gloss (60 gardner)		NEMA LD-3			

Sheet Specifications

Properties	Unit	Specification and Tolerances	Properties	Unit	Specification and Tolerances
Thickness	mm	6.0, 9.0, 12.0+0.5(-0)	Warp	mm	Less than 1.6 (Width)
Length	mm	2500, 3070, 3680+20(-0)	Corner Angle	mm	Less than 3.2
Width	mm	760+10.0(-0)	Corner Damage	mm	Less than 5.0



Pure White



CASE STUDY: COMMERCIAL SPACES

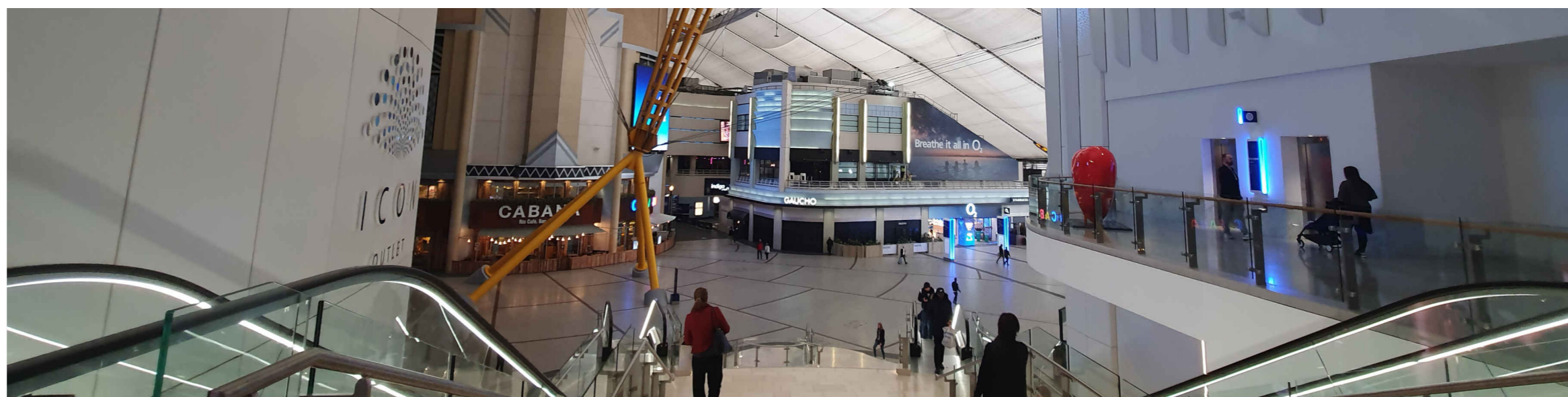
Architect: Ronan Developments
Fabricator: HLF Contracts



Project Type
Interior Wall
Cladding

Colour
6mm Pure White
(A104)

Location
Moleskine,
ICON Outlet,
o2 Arena



CASE STUDY: BESPOKE PROJECTS

Project Type
Home Renovation

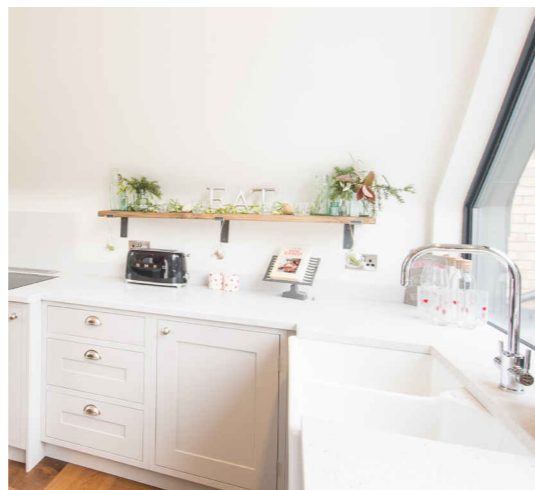
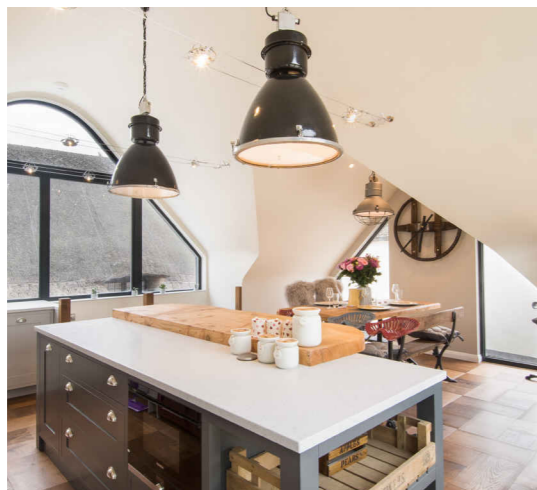
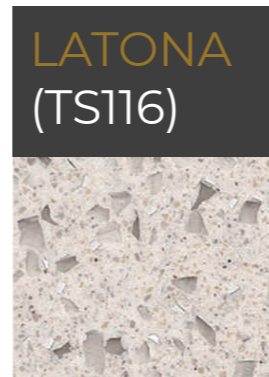
Colour
Latona (TS116)

Location
Buckinghamshire

Project Brief

The architect's original brief was to renovate the Grade II listed building with an entrance hall, family living space, kitchen and bedrooms.

The architect was given the task of creating an inviting and liveable atmosphere in the home - but also preserve the 400 year old building complete with thatched roof.



The Project

The contrast between the bespoke French Grey 113 cupboards, which were designed to take into account the unique curvature of the building, and the Latona island unit results in a beautiful centrepiece for their kitchen which includes a solid wood worksurface.

The stunning project's overall outcome captured the attention of Channel 4's Best Laid Plans and the architect won an award at the 2018 Build It Awards in the Best Renovation/Extension Architect category.

Architect: Lynn Palmer Architects
Fabricator: Kingsey Kitchens



CASE STUDY: STUDENT ACCOMMODATION

Project Brief

To design a modern and contemporary café bar as part of the Lawns Centre development programme, which would be an appealing social space for students to dwell.

Architect: PSV Design



This included a licensed bar facility, a premium coffee brand and food offerings. This is to quickly service those on the move with a range of freshly prepared products. The specification also needed to accommodate late evening food offer, supported from the servery area.

Project Type
Student
Accommodation
and Catering

Colour
Pure White
(A104)

Location
University of Hull,
United Kingdom

SYNCRO INLAY SINKS




SYNCRO inlay sinks bring together high quality stainless steel sinks with multiple surfaces including: Acrylic Solid Surface, Quartz, or Stone.


Using SYNCRO allows for the finished product to look like a steel based material clad sink. Conventional stainless steel based sinks were joined to Solid Surface material with a silica bonding agent. SYNCRO's inlay stainless steel sinks make your kitchen solution seamless and less prone to leakage.

SYNCRO Sinks are handmade and produced to the highest manufacturing standards. Made from premium 1.2mm, 304 grade stainless steel, SYNCRO offers a luxurious alternative to your standard stainless steel sinks whilst also bringing innovations to make your kitchen more hygienic and beautiful.

 CE Marking

 Colour Match Products Available

 Premium Stainless Steel

 Sound Absorption Pads

01

Perfect for 12mm Solid Surface

Colour match your sink to your worksurface. The SYNCRO range was designed to create a truly seamless solution with any 12mm Acrylic Solid Surface product.



02

Increased Flexibility

SYNCRO sinks have a 10mm flange which offers increased flexibility and allows for more combinations with standard cabinets.



03

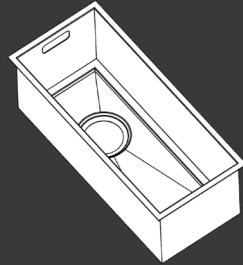
Pre-Clad Sinks Available

We love working with our Tristone Approved Fabricator Network. If you need a pre clad sink, you can be assured that the installation of the solid surface material will be done to the highest standards.



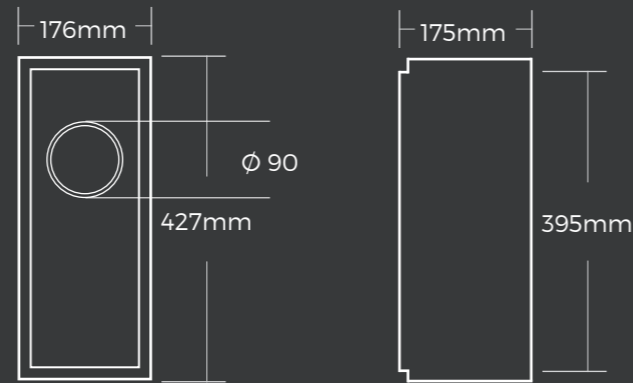
MODELS OF SYNCRO

TS175

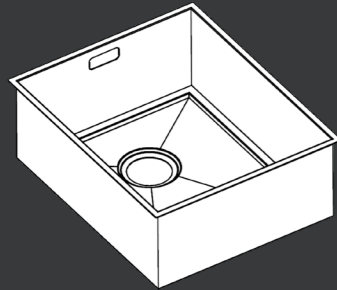


Inlay Dimensions:
176mm x 427mm
Inlay Depth:
165mm

Base Dimensions:
144mm x 395mm
Base Depth:
175mm

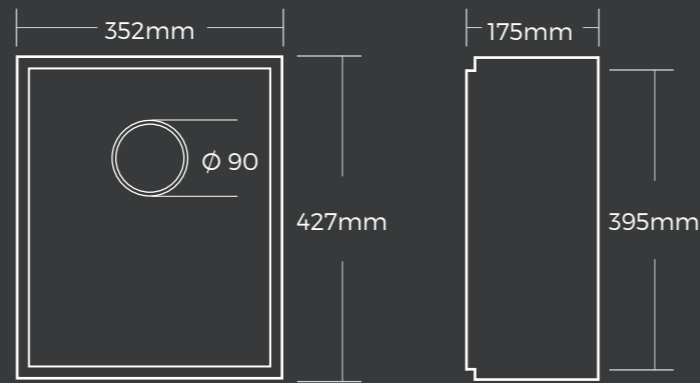


TS350

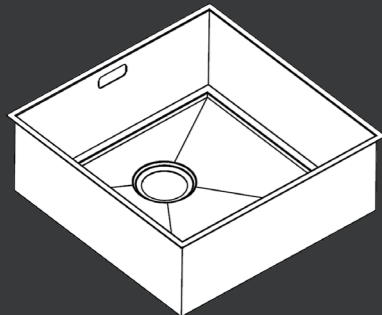


Inlay Dimensions:
352mm x 427mm
Inlay Depth:
165mm

Base Dimensions:
320mm x 395mm
Base Depth:
175mm

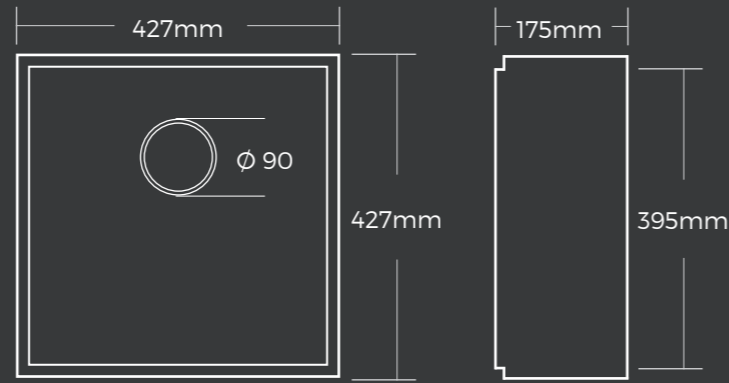


TS425

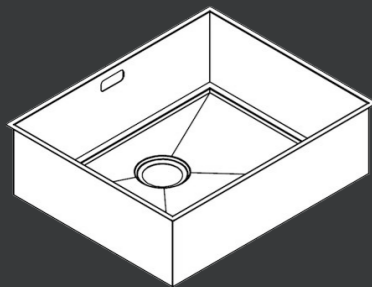


Inlay Dimensions:
427mm x 427mm
Inlay Depth:
165mm

Base Dimensions:
395mm x 395mm
Base Depth:
175mm

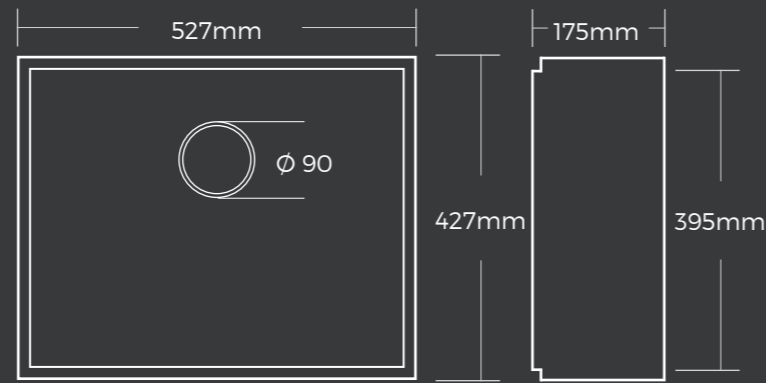


TS525



Inlay Dimensions:
527mm x 427mm
Inlay Depth:
165mm

Base Dimensions:
495mm x 395mm
Base Depth:
175mm



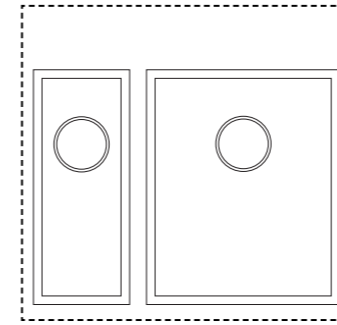
Product Information

- Handmade Bowl
- Sound Absorption Pads
- Individually Boxed
- Steel Thickness: 1.2mm
- Suitable for Solid Surface
- 5 year manufacturer's warranty

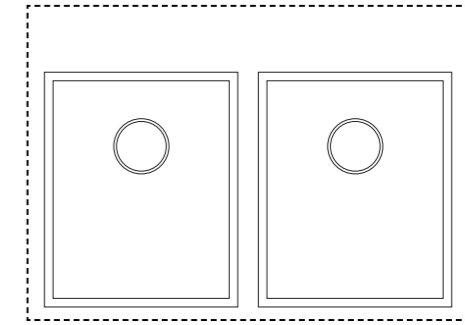
Outline images show the inlay dimensions. The sinks have a 10-12mm flange which is not displayed in the dimension drawings. For further information, please contact the Tristone UK Office directly.

SYNCRO COMBINATIONS

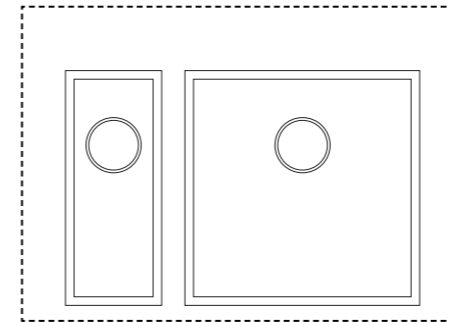
STANDARD CABINET SINK COMBINATIONS



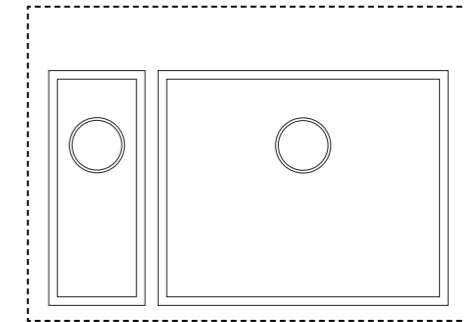
600mm Cabinet Sink Combination
Half Sink: TS175
Sink: TS350



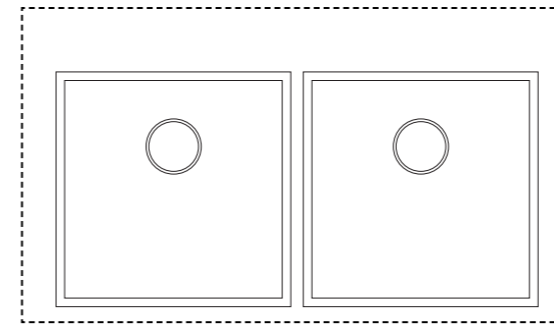
800mm Cabinet Sink Combination
Twin sink
Sink (L/R): TS350



800mm Cabinet Sink Combination
Half Sink: TS175
Sink: TS425



800mm Cabinet Sink Combination
Half Sink: TS175
Sink: TS525



1000mm Cabinet Sink Combination
Twin sink
Sink (L/R): TS425

Disclaimers and Notices

These diagrams were created and scaled down by Tristone UK Marketing. They are based on technical drawings by the original sink manufacturer. Whilst every effort has been made to ensure the images are to scale, there may be a tolerance of ±3mm. For further information, please contact the Tristone UK Office directly. These cabinet compatibility diagrams are based on the dimensions of Cooke and Lewis Standard Cabinets in multiple sizes. Due to the flange on the sinks, there may be additional tolerances that may need to be taken into account when installing into their respective cabinets.

SYNCRO Inlay Sinks give you the added flexibility to pick and choose your sink combination and finish.

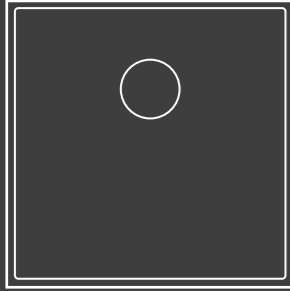


NEAR SEAMLESS

All Acrylic Solid Surfaces offer colour matched adhesives which allow for inconspicuous joins. This means that when SYNCRO sinks are clad, undermounted and joined, it can work with any Acrylic Solid Surface to create a near seamless kitchen solution.



CAST SINKS AND BOWLS



Our Cast Sinks and Bowls are available in various models. They are not only premium quality, but are bacterial resistant and easy to clean and maintain.

Available in white¹, the Tristone Cast Sinks offer a beautiful solution for your Tristone Creation.



Near Seamless

Our cast sinks and bowls can be undermounted or seamed to the worksurface to create a near seamless kitchen solution.



Easy to Clean

Our sinks and bowls are manufactured to have similar properties to our Tristone Acrylic Solid Surface sheets. This means it is hygienic and easy to clean.



Customisable to your specifications

Our cast sinks and bowls can be customised to meet your specifications. Some of our cast sinks are available with or without overflow.

01

Cabinet Compatibility

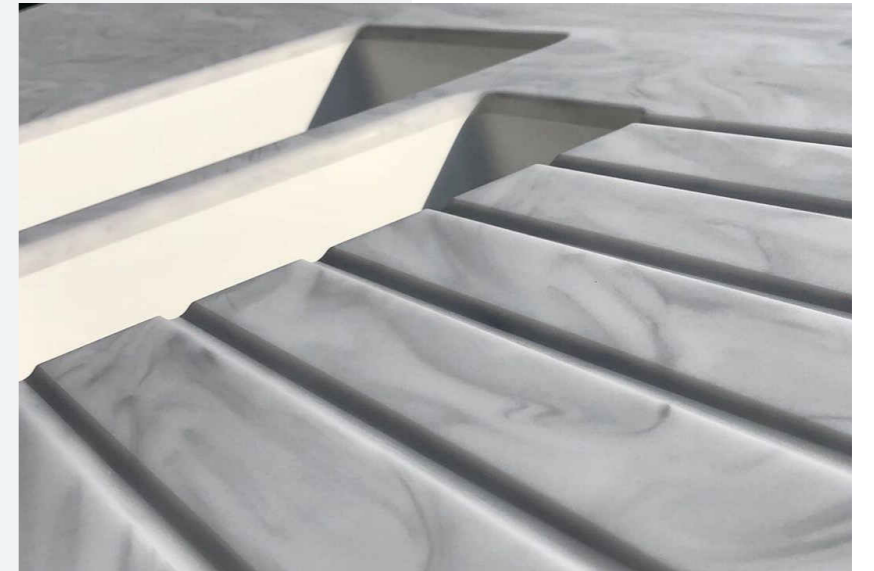
Most of our sinks, bowls and basins are compatible with 600mm standard cabinets.



02

Drainer Grooves

Integrate drainer grooves into the surface which allows for water to drain away from the surface.



03

1 Year Limited Warranty

Have peace of mind and know that our sinks are covered by a 1 year limited warranty.



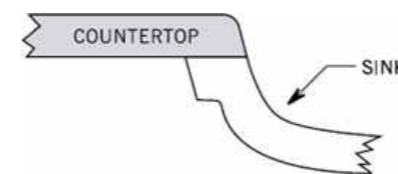
¹We do not guarantee a colour match to Tristone Pure White sheets.



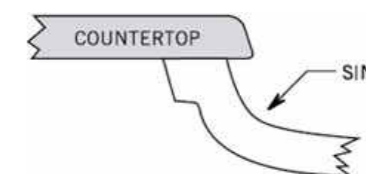
MOUNTING OPTIONS FOR CAST SINKS

The flexibility of our cast sinks allow for different mounting methods which means that you can achieve different finishes. Seam mounts or under mounts can be used to join your cast sink to your worksurface.

Seam Mount



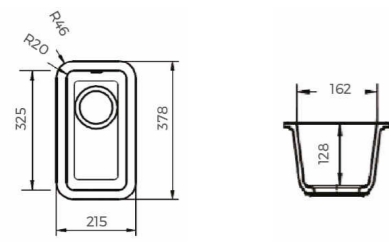
Under Mount



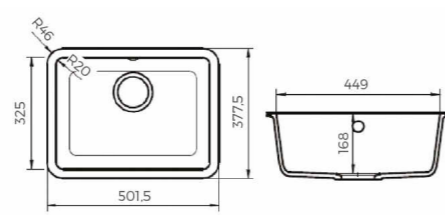
Both options allow for a near seamless kitchen solution which are hygienic and non porous whilst maintaining a simple and beautiful finish. Seam mounted sinks offer a smooth finish between the countertop and the sink whereas the under mounted sinks offer a lipped edge on the countertop.

CAST SINKS

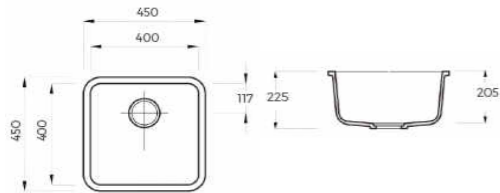
SS 050
(Formerly JK050)



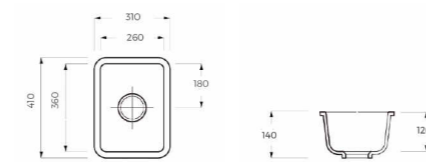
SS 100
(Formerly JK100)



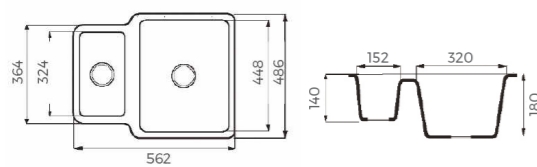
SS 01
(Formerly JK104)



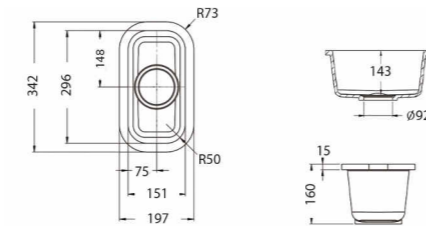
SS 05
(Formerly JK105)



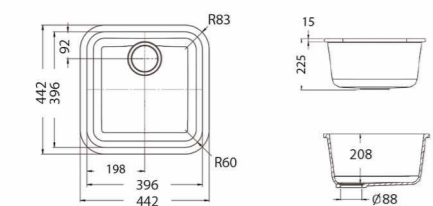
SS 150
(Formerly JK204)



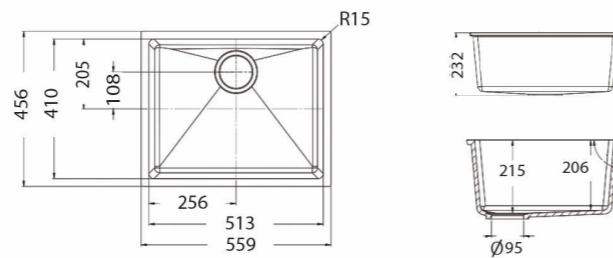
GCTK151



GCTK396

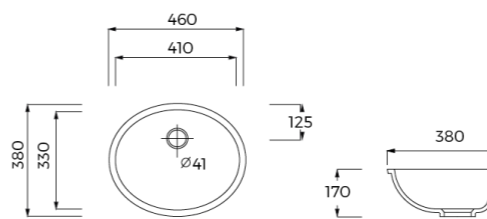


GDTK513

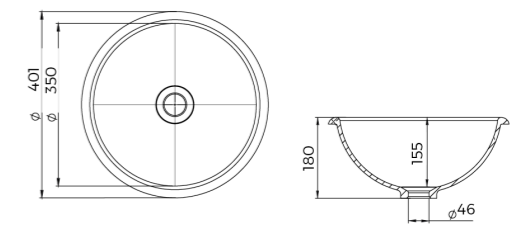


CAST BOWLS

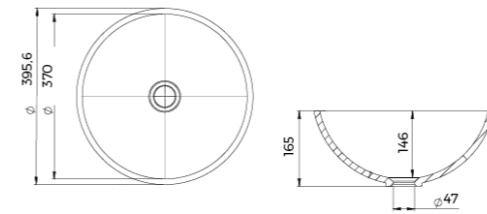
SV 01
(Formerly JK302)



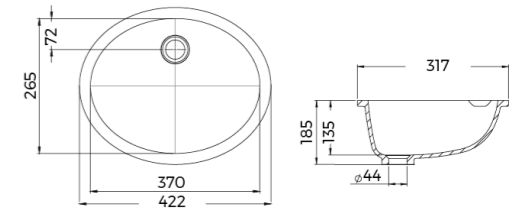
GTR350



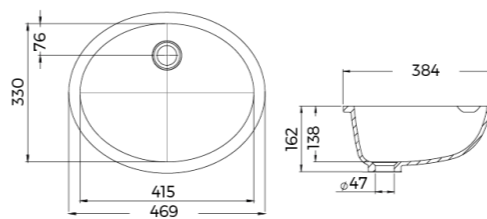
GTR370



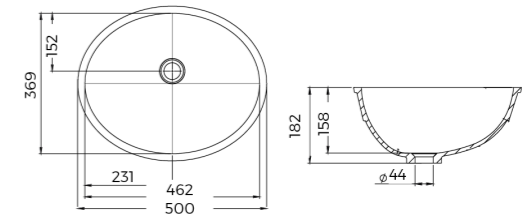
GTE370



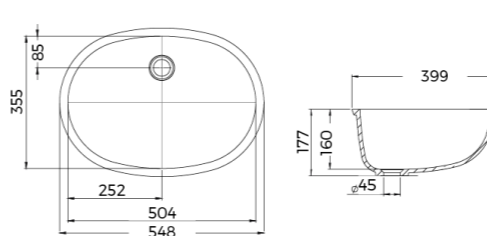
GTE415



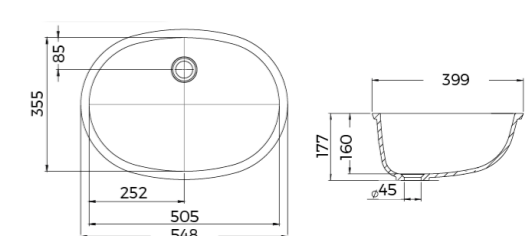
GTE462



GTE504



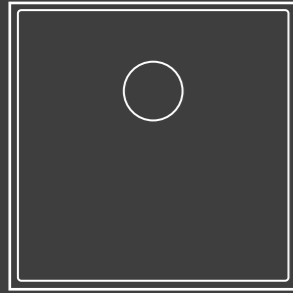
GTE505



Product Specifications		Disclaimers
Colour Availability	White	<ul style="list-style-type: none"> We do not guarantee an exact colour match on the cast sinks with Tristone Pure White Sheets. This is due to a different manufacturing process. Due to the flange on select sink models, there may be additional tolerances that may need to be taken into account when installing into their respective cabinets.
SS Series Models	No accessories included.	
	No Overflow	
G Series Models	No accessories included.	
	Available With or Without Overflow.	
Mounting Type	Seam mount or Under mount	
1 Year Limited Warranty		

Product Specifications		Disclaimers
Colour Availability	White	<ul style="list-style-type: none"> We do not guarantee an exact colour match on the cast sinks with Tristone Pure White Sheets. This is due to a different manufacturing process. Due to the flange on select sink models, there may be additional tolerances that may need to be taken into account when installing into their respective cabinets.
SS Series Models	No accessories included.	
	No Overflow	
G Series Models	No accessories included.	
	Available With or Without Overflow.	
Mounting Type	Seam mount or Under mount	
1 Year Limited Warranty		

THERMOFORMED RANGE



Our thermoformed sinks, bowls, and basins are available in our Tristone® UK stock colours. They are made to order and offer the same properties as the Tristone® Acrylic Solid Surface. For a seamless kitchen or bathroom solution, our colour matched sinks and bowls are the perfect way to make your Tristone® creation a reality.



Colour Match Products Available

Thermoformed sinks and bowls are made with Tristone® solid surface sheets, which allows your design to be fully integrated and seamless¹.



Multiple Base Options

Our kitchen sinks come in 3 different base options depending on the model range: Flat Stainless Steel, 20mm Stainless Steel and Solid Surface Base²



Multiple Depths Options

We have 3 depths available for our sinks, bowls and basins. Our sinks are available in standard depth (see dimension images), 170mm, and 190mm.

01

Cabinet Compatibility

Most of our sinks, bowls and basins are compatible with 600mm standard cabinets.



02

Find Your Combination

Get an idea of how your sink can mix and match your sink to fit a cabinet.



03

1 Year Limited Warranty

Have peace of mind and know that our thermoformed sinks are covered by a 1 year limited warranty³.

³Solid Surface bases are not covered by the 1 year warranty.



¹We do not guarantee a batch match for colour match products.

HOW CAN TRISTONE BE THERMOFORMED?

The chemical properties and composition of Acrylic Solid Surface gives Tristone its thermoforming capabilities. The process for thermoforming can vary depending on the product that is being manufactured.

Acrylic Solid Surfaces are usually heated to 150°C in a thermoforming oven until it becomes pliable and then moulded into intricate shapes and designs using a mould and a thermoforming press.

- Allows for a smooth flowing design¹.
- 3D shapes are possible.
- Maintains the same intensity of colour after being thermoformed.
- The moulded pieces can be joined to create larger installations and displays².

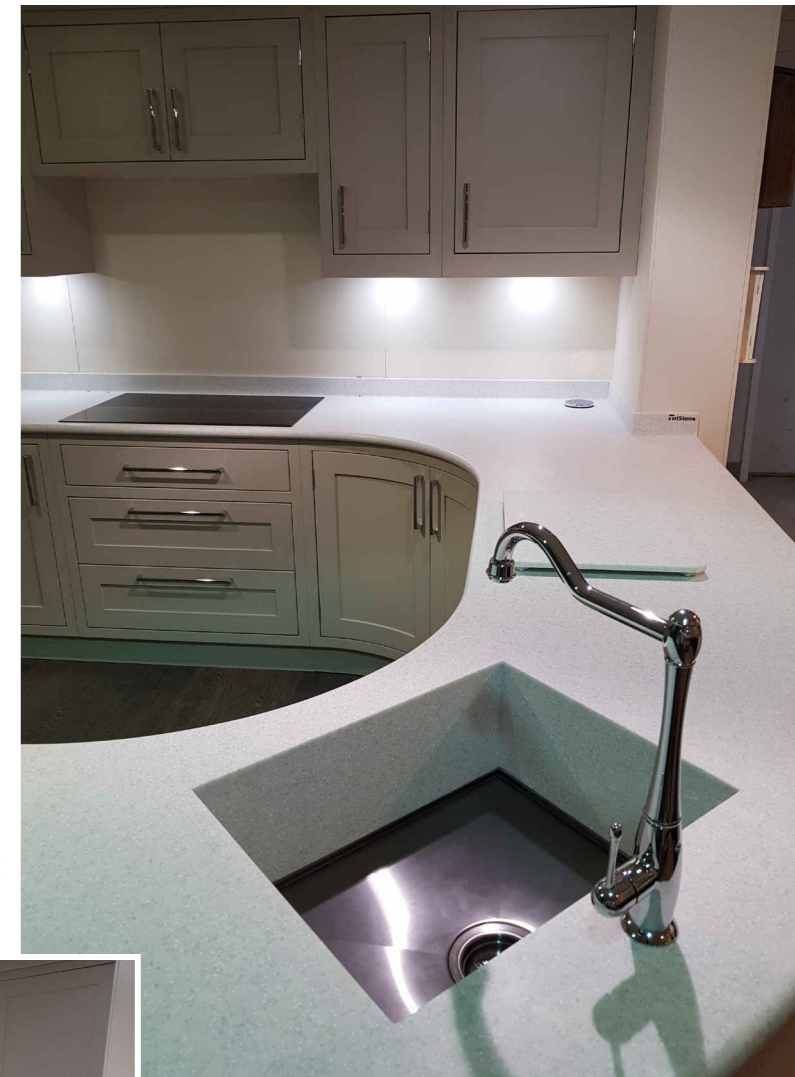


Thermoforming Press

¹The pieces that require thermoforming must have smooth, ground edges to prevent the appearance of chips and microfissures.
²For more complicated sections, moulds of both sides (male and female) can be used to achieve the required shape once they have cooled to room temperature.

COLOUR MATCHED TO NEAR PERFECTION

We work to make sure the colour of the worksurface is as close to a colour match as any thermoformed sinks, bowls and basins you also get from our product range.

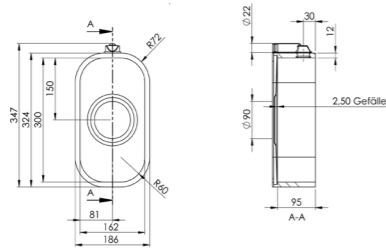


Please Note: For our thermoformed sinks, bowls and basins there is a 14-20 working day lead time.

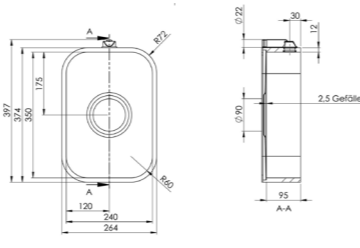
THERMOFORMED SINKS

All diagrams show Flat Stainless Steel Models with Overflow.
20mm Stainless Steel and Solid Surface Diagrams available on request

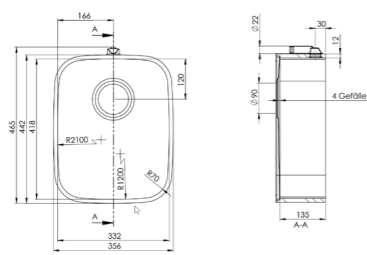
CTK162



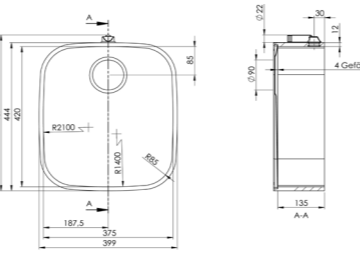
CTK240



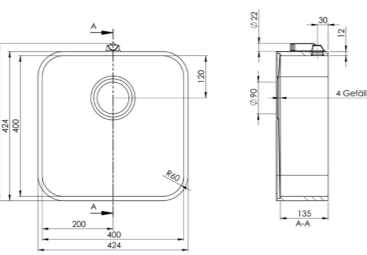
CTK332



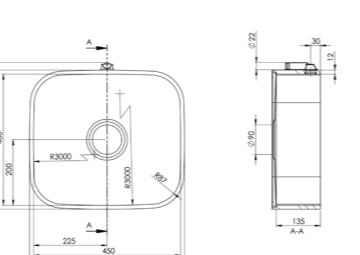
CTK375



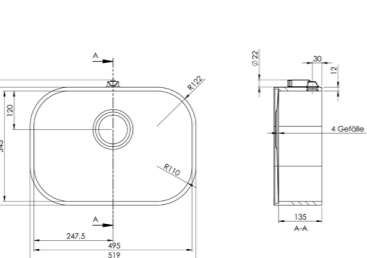
CTK400



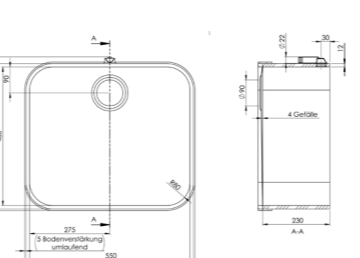
CTK450



CTK495



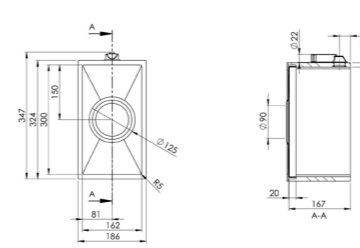
CTK550



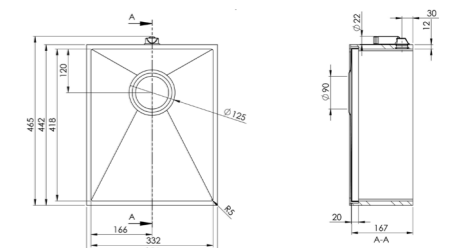
THERMOFORMED SINKS

All diagrams show Flat Stainless Steel Models with Overflow.
20mm Stainless Steel and Solid Surface Diagrams available on request

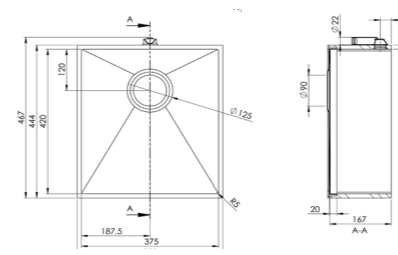
DTK162



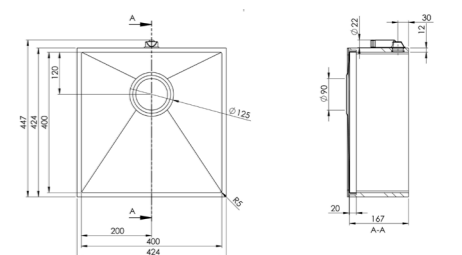
DTK332



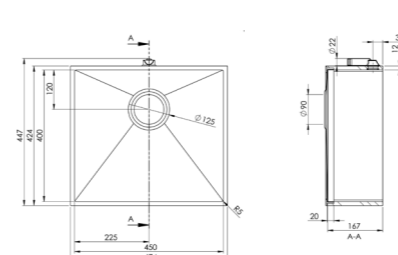
DTK375



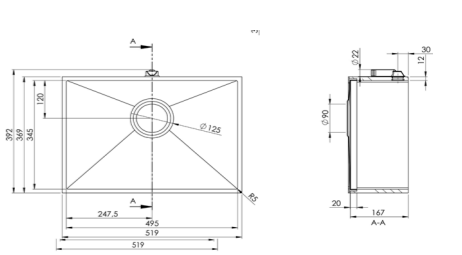
DTK400



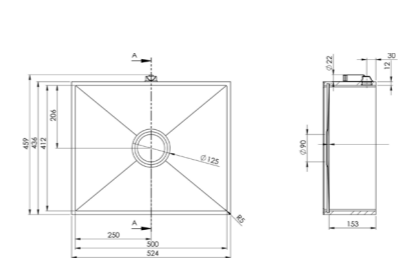
DTK450



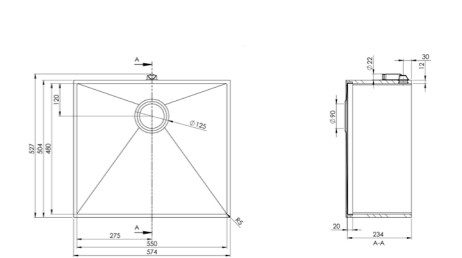
DTK495



DTK500



DTK550

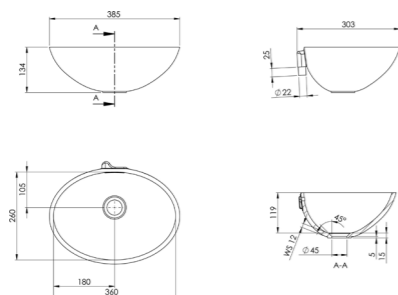


Product Specifications		Disclaimers
Colour Availability	All UK Colours	<ul style="list-style-type: none"> Due to batch variation, we do not guarantee an exact colour match on our Sinks. This should be seen as a guide and not definitive combinations. For the most up to date information, please contact the Tristone UK Office directly. Due to the flange on select sink models, there may be additional tolerances that may need to be taken into account when installing into their respective cabinets.
Base Option(s)	Flat Stainless Steel	
	20mm Stainless Steel	
	Solid Surface	
Available Depths	Standard, 170mm, 190mm	
Mounting Type	Undermount	
Accessories included.		
Available With or Without Overflow		
1 Year Limited Warranty on Stainless Steel Bases		

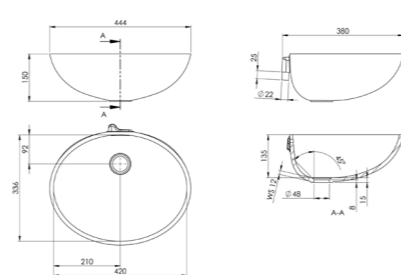
Product Specifications		Disclaimers
Colour Availability	All UK Colours	<ul style="list-style-type: none"> Due to batch variation, we do not guarantee an exact colour match on our Sinks. This should be seen as a guide and not definitive combinations. For the most up to date information, please contact the Tristone UK Office directly. Due to the flange on select sink models, there may be additional tolerances that may need to be taken into account when installing into their respective cabinets.
Base Option(s)	Flat Stainless Steel	
	20mm Stainless Steel	
	Solid Surface	
Available Depths	Standard, 170mm, 190mm	
Mounting Type	Undermount	
Accessories included.		
Available With or Without Overflow		
1 Year Limited Warranty on Stainless Steel Bases		

THERMOFORMED BOWLS

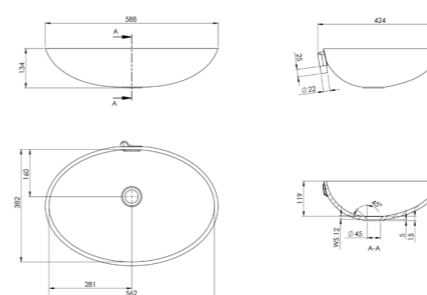
TE360



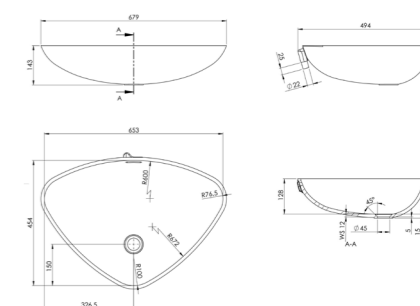
TE415



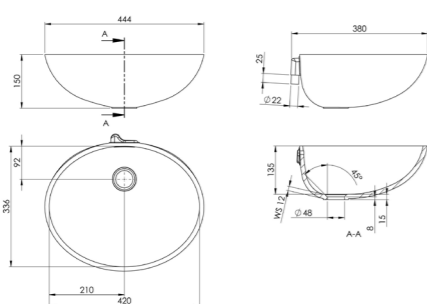
TE562



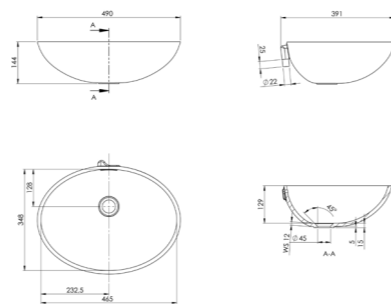
TE653



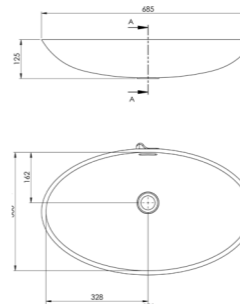
TE420



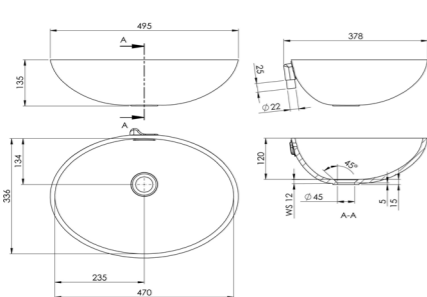
TE465



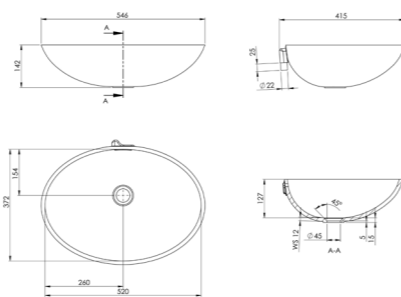
TE656



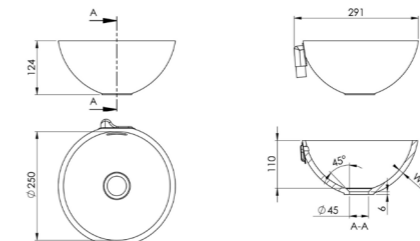
TE470



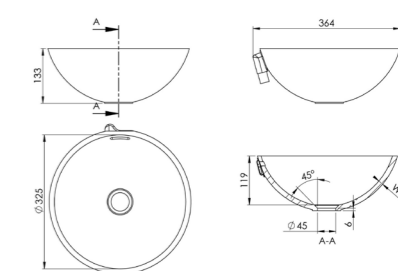
TE520



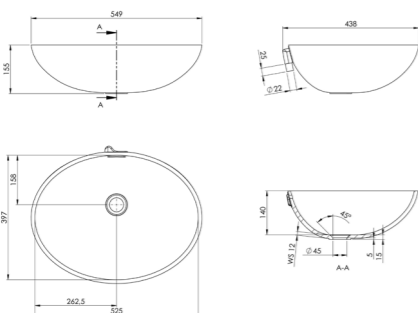
TR250



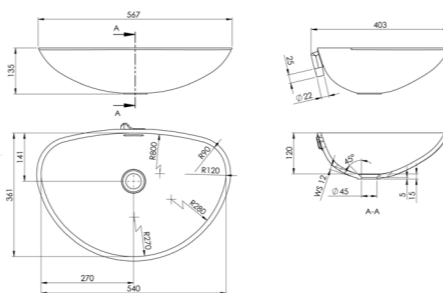
TR325



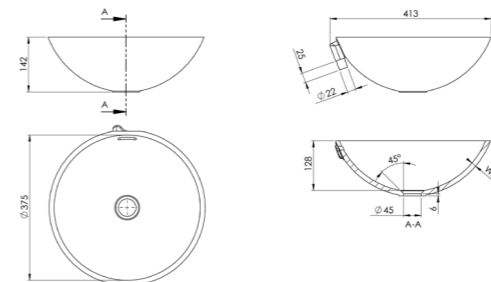
TE525



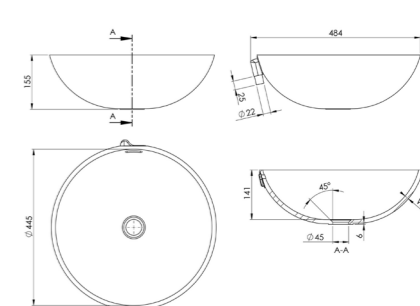
TE540



TR375



TR445



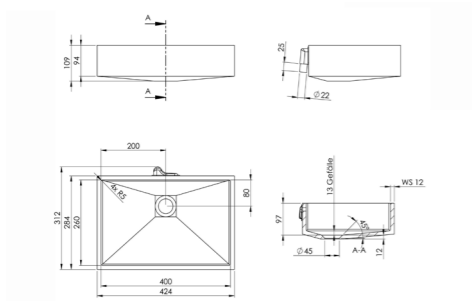
Product Specifications		Disclaimers
Colour Availability	All UK Colours	<ul style="list-style-type: none"> These diagrams were technical drawings provided by the respective sink manufacturers. Due to the flange on select sink models, there may be additional tolerances that may need to be taken into account when installing into their respective cabinets. Due to batch variation, we do not guarantee an exact colour match on our thermoformed range
Mounting Type	Undermount	
Accessories	Overflow kit available for Bowls with Overflow.	
Available With or Without Overflow		
1 Year Limited Warranty		

THERMOFORMED BOWLS

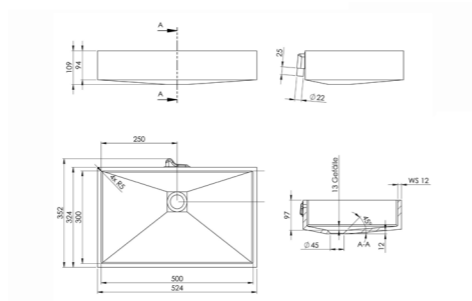
Product Specifications		Disclaimers
Colour Availability	All UK Colours	<ul style="list-style-type: none"> These diagrams were technical drawings provided by the respective sink manufacturers. Due to the flange on select sink models, there may be additional tolerances that may need to be taken into account when installing into their respective cabinets. Due to batch variation, we do not guarantee an exact colour match on our thermoformed range
Mounting Type	Undermount	
Accessories	Overflow kit available for Bowls with Overflow.	
Available With or Without Overflow		
1 Year Limited Warranty		

THERMOFORMED BASINS

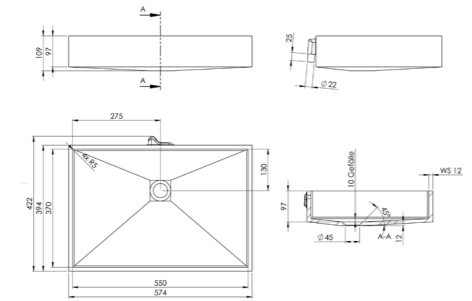
TP400



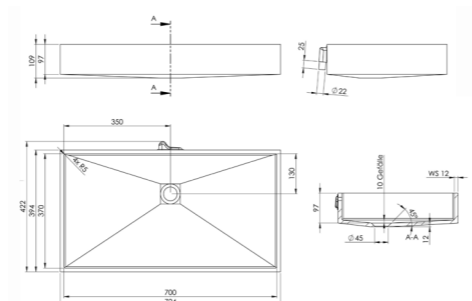
TP500



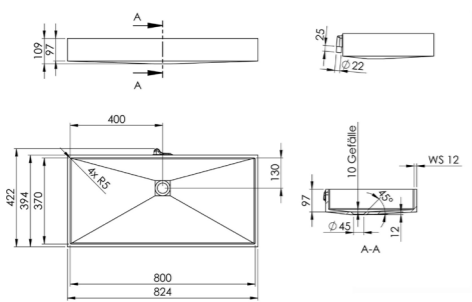
TP550



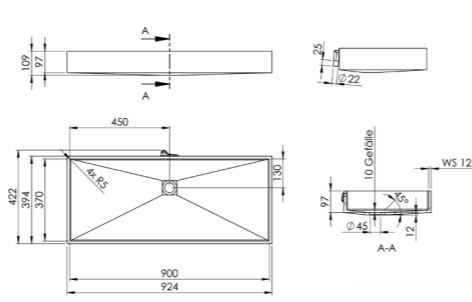
TP700



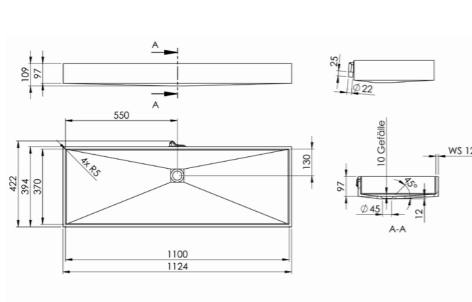
TP800



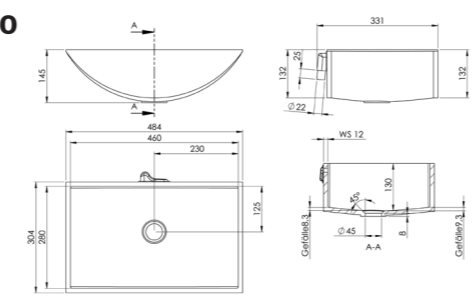
TP900



TP1100

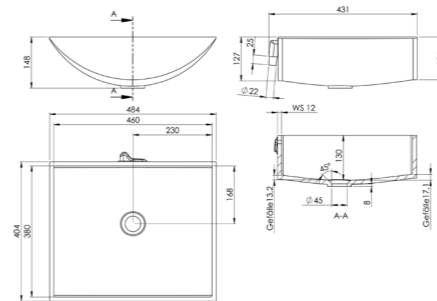


TL460-280

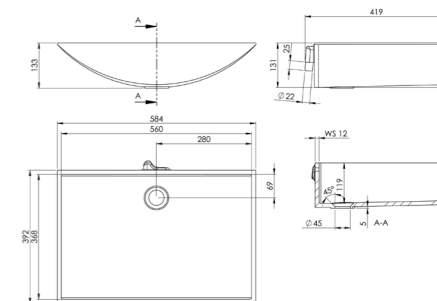


THERMOFORMED BASINS

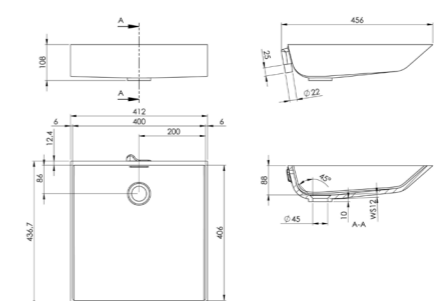
TL460-380



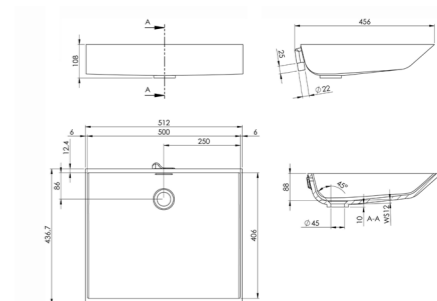
TL560



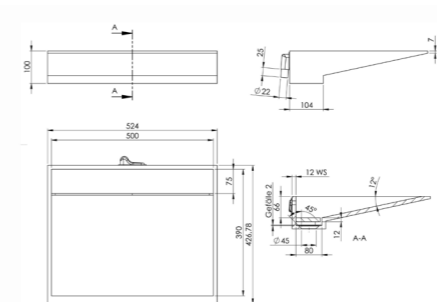
TS400



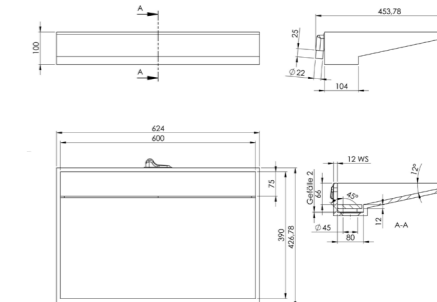
TS500



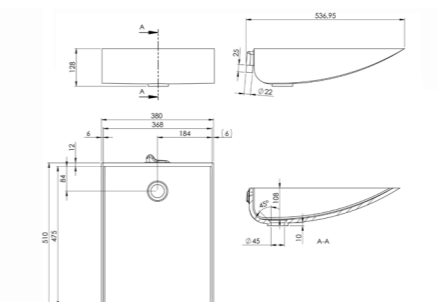
TV500



TV600



TW368

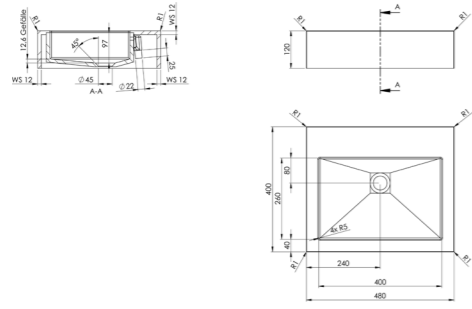


Product Specifications		Disclaimers
Colour Availability	All UK Colours	<ul style="list-style-type: none"> These diagrams were technical drawings provided by the respective sink manufacturers. Due to the flange on select sink models, there may be additional tolerances that may need to be taken into account when installing into their respective cabinets. Due to batch variation, we do not guarantee an exact colour match on our thermoformed range
Mounting Type	Undermount	
Accessories	Overflow kit available for Basins with Overflow.	
Available With or Without Overflow		
1 Year Limited Warranty		

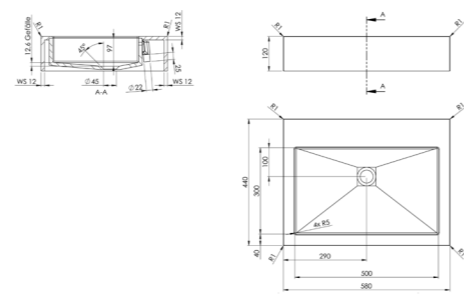
Product Specifications		Disclaimers
Colour Availability	All UK Colours	<ul style="list-style-type: none"> These diagrams were technical drawings provided by the respective sink manufacturers. Due to the flange on select sink models, there may be additional tolerances that may need to be taken into account when installing into their respective cabinets. Due to batch variation, we do not guarantee an exact colour match on our thermoformed range
Mounting Type	Undermount	
Accessories	Overflow kit available for Basins with Overflow.	
Available With or Without Overflow		
1 Year Limited Warranty		

THERMOFORMED TOP-DROP BASINS

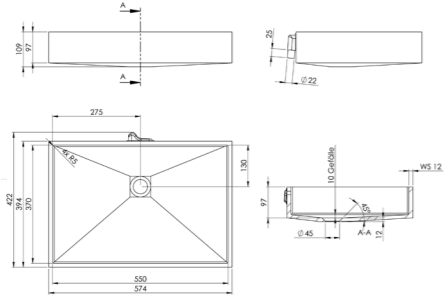
ATP400



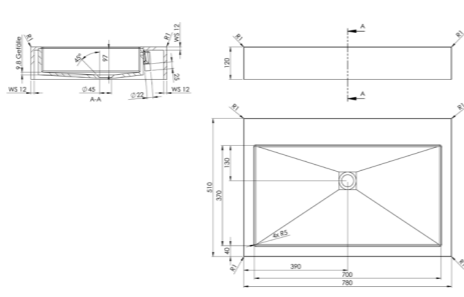
ATP500



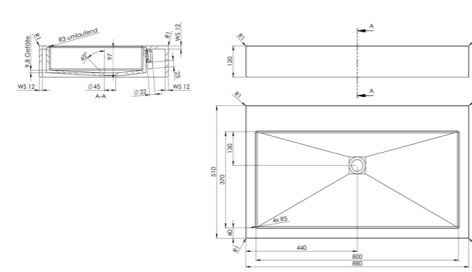
ATP550



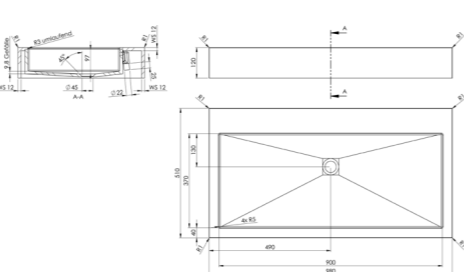
ATP700



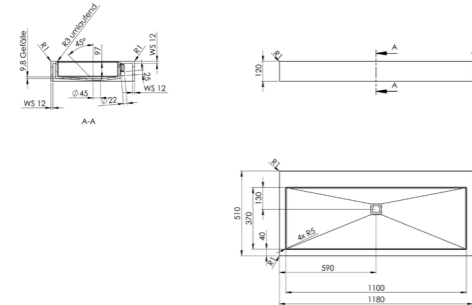
ATP800



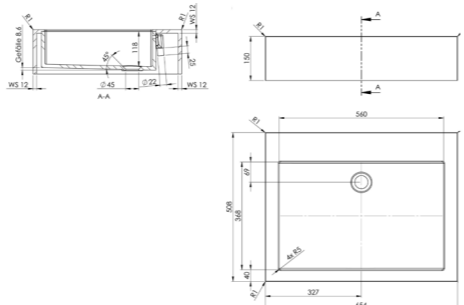
ATP900



ATP1100



ATL560

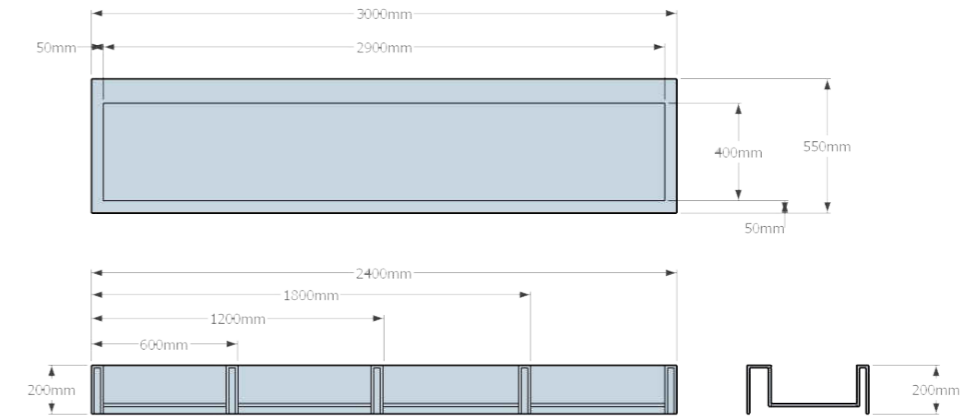


Product Specifications		Disclaimers
Colour Availability	All UK Colours	<ul style="list-style-type: none"> These diagrams were technical drawings provided by the respective sink manufacturers. Due to the flange on select sink models, there may be additional tolerances that may need to be taken into account when installing into their respective cabinets. Due to batch variation, we do not guarantee an exact colour match on our thermoformed range
Mounting Type	Top Mount	
Accessories	Overflow kit available for Top Drop Basins with Overflow.	
Available With or Without Overflow		
1 Year Limited Warranty		

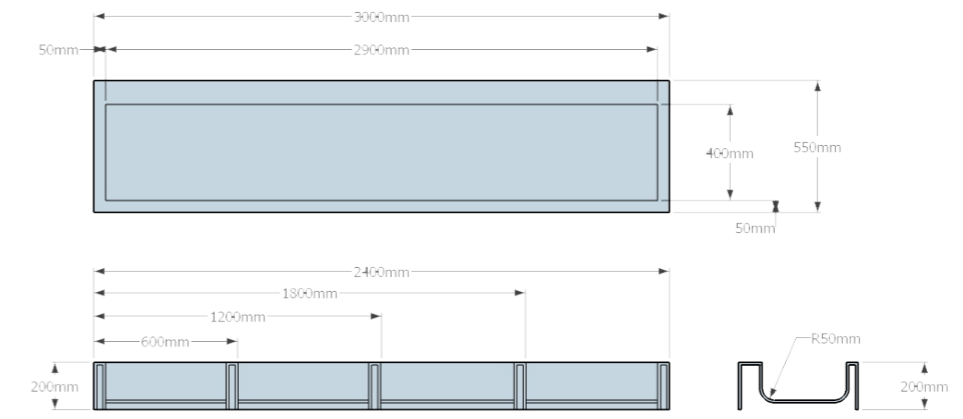
THERMOFORMED WASH TROUGHS NEW

Discover our new range of bespoke wash troughs. Available in multiple lengths, these wash troughs offer a modular solution which is customisable depending on your design specifications. These are in our Tristone® Pure White. Other colours available upon request.

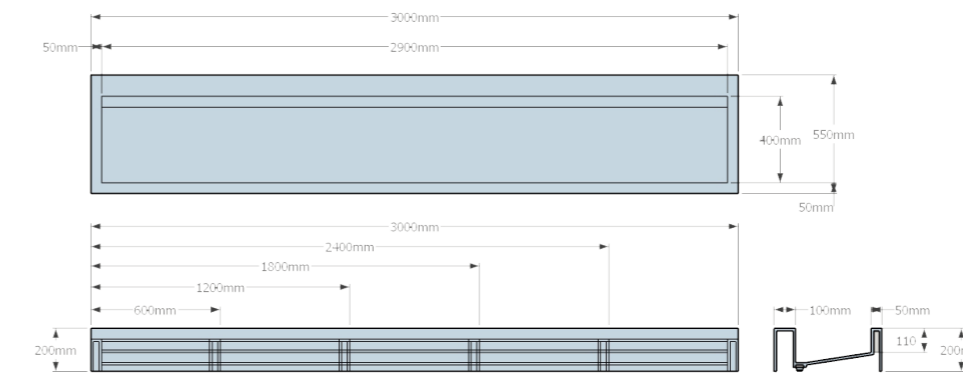
Knightsbridge



Archway



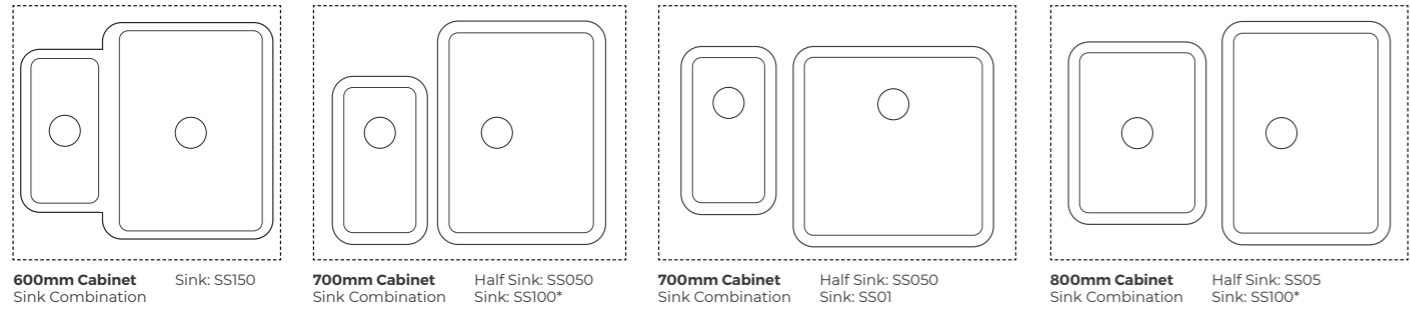
Kensington



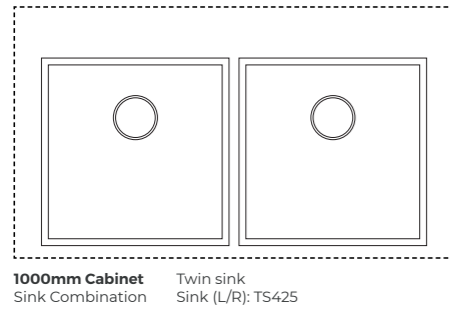
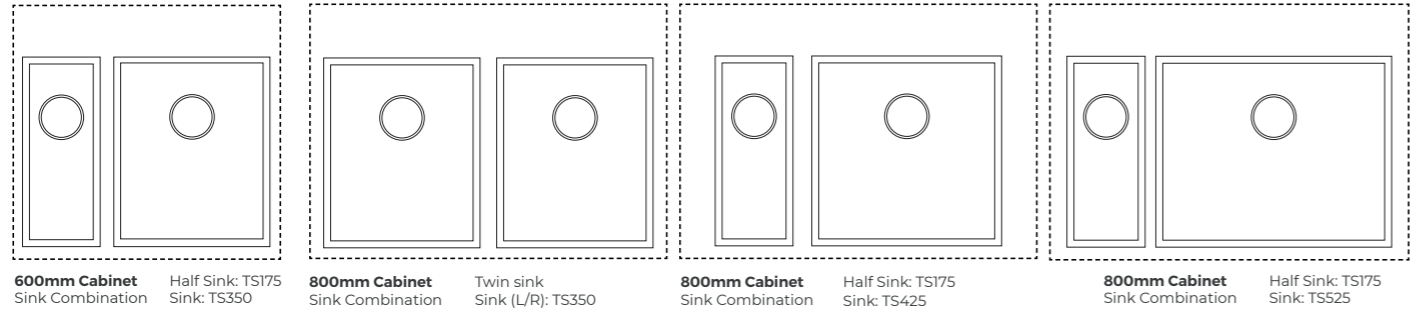
Product Specifications		Disclaimers
Colour Availability	All UK Colours	<ul style="list-style-type: none"> These diagrams were technical drawings provided by the respective sink manufacturers. Due to the flange on select sink models, there may be additional tolerances that may need to be taken into account when installing into their respective cabinets. Due to batch variation, we do not guarantee an exact colour match on our thermoformed range
Mounting Type	N/A	
Accessories included.		
Available With or Without Overflow		
1 Year Limited Warranty		

SINKCOMPATIBILITY

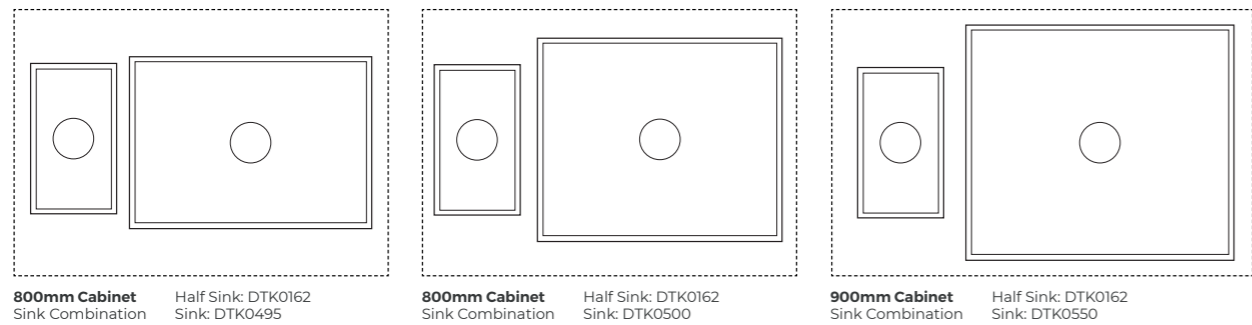
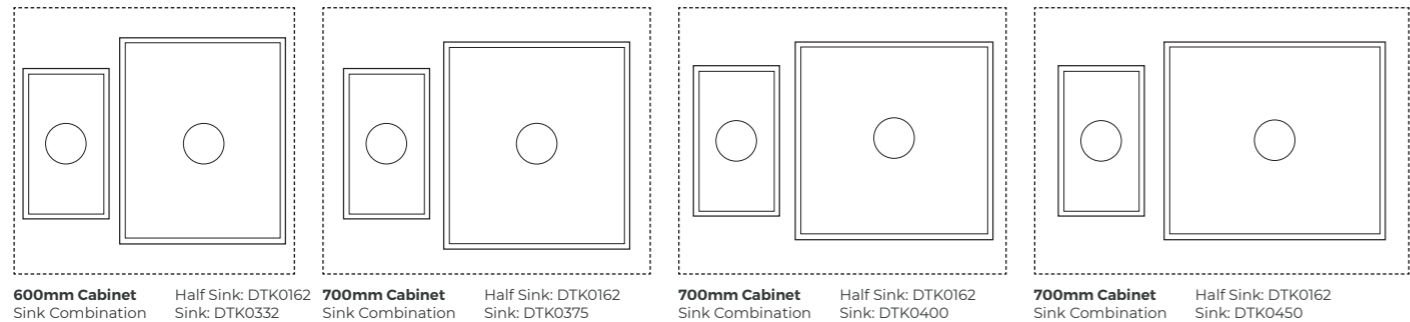
Cast Sinks



SYNCRO¹



Thermoformed Sinks



Please Note:

- This should be seen as a guide and not definitive combinations. For the most up to date information, please contact the Tristone UK Office directly.
- These diagrams were created and scaled down by Tristone UK Marketing. They are based on technical drawings by the respective sink manufacturers.
- Whilst every effort has been made to ensure the images are to scale, there may be a tolerance of ±5mm.
- The dotted outlines are based on the dimensions of the Cooke and Lewis Standard Cabinets in multiple sizes.
- Due to the flange on select sink models, there may be additional tolerances that may need to be taken into account when installing into their respective cabinets.

SINK AND BOWL ACCESSORIES

SINGLE WASTE KIT

This pack contains a waste, overflow and plumbing kit. The stainless steel & polypropylene waste kit, overflow and plumbing kit is suitable for use with a kitchen sink with 1 bowl.



Product Specifications and Minimum Tolerances	
Trap Outlet Height	Between 275mm and 320mm
Horizontal Reach	Between 190mm and 270mm
Waste Pipe Outer Diameter	40mm - 43mm

DOUBLE WASTE KIT

Contains: Waste, overflow and plumbing kit. The stainless steel & polypropylene waste kit, overflow and plumbing kit is suitable for use with a kitchen sink with 1.5 bowl combination.



Product Specifications and Minimum Tolerances	
Trap Outlet Height	Between 350mm and 490mm
Vertical Height Difference between Wastes	Between 0 and 75mm
Horizontal Reach	Between 190mm and 270mm
Waste Pipe Outer Diameter	40mm - 43mm

POP UP WASTE KIT

With Overflow

This pop up sink waste is constructed from sturdy stainless steel and polypropylene.



STANDARD WASTE KIT

With Overflow

This is a high quality waste kit with overflow. It is constructed from brushed stainless steel and polypropylene.



Products may vary slightly from the images provided.



250ml ADHESIVE APPLICATOR GUN

Suitable for 250ml Tristone Adhesives

Dispensing gun for use with 250ml Tristone Acrylic Solid Surface Adhesives.

Manual cartridge gun dispensers are designed for the controlled application of two component epoxies, silicones and other materials.



75ml ADHESIVE APPLICATOR GUN

Suitable for 75ml Tristone Adhesives

Dispensing gun for use with 75ml Tristone Acrylic Solid Surface Adhesives.

Manual cartridge gun dispensers are designed for the controlled application of two component epoxies, silicones and other materials. This is also compatible with 50ml MIXPAC adhesives.



75ml ADHESIVE APPLICATOR ADAPTER

This is an adapter for a 50ml MIXPAC adhesive applicator gun. This allows you to use 75ml Tristone Colour Match Adhesives.

250ml MIXER TIPS



Mixer tips for 250ml adhesives. The mixer tips allow for the even mixing of both parts of the solid surface adhesive.

75ml MIXER TIPS



Mixer tips for 75ml adhesives. The mixer tips allow for the even mixing of both parts of the solid surface adhesive.



250ML SOLID SURFACE ADHESIVE

Tristone UK Limited offers colour matched adhesives that allow for a near seamless joins that are inconspicuous when properly fabricated. Our adhesives have been extensively tested and colour matched to our Acrylic Solid Surface sheets.



75ML SOLID SURFACE ADHESIVE

Tristone UK Limited offers colour matched adhesives that allow for joins that are inconspicuous. Our adhesives have been extensively tested and colour matched to our Acrylic Solid Surface sheets.



TRISTONE SOLID SURFACE INSTALLATION KIT

Solid Surface Installation Kits include items required to polish a Solid Surface Worktop. This Kit includes Solid Surface Daily Cleaner and Solid Surface Rejuvenate for stains and scratches.

Each kit contains:

- 10 x 80 grit sanding discs
- 10 x 180 grit sanding discs
- 10 x 240 grit sanding discs
- 10 x 320 grit sanding discs
- 10 x 400 grit sanding discs
- 1 x Light Duty abrasive pad
- 1 x 500ml Solid Surface Rejuvenate
- 1 x 500ml Solid Surface Daily Cleaner

- 1 x Microfibre Cloth
- 1 x Disposable gloves
- 1 x Sanding Foam Pad
- 1 x Abrasive Disc Pad - White
- 1 x Abrasive Disc Pad - Maroon
- 1 x Abrasive Disc Pad - Grey
- 1 x Care & Maintenance Guide



MAGIC COUNTERTOP CLEANER

414ml Spray

Magic Countertop Cleaner helps prevent stains and makes routine cleaning easier. It leaves a protective barrier to repel dirt and makes cleaning easier.

FARECLA ACCESSORIES



FARECLA PROFILE VECTOR LIQUID COMPOUND

Profile 200XL PRODUCT CODE: P2X101

Profile Vector Liquid Compound is a high performance, water-based cutting compound which removes P1500 or finer sanding marks from acrylics, polyester coatings and gel coats and will reach the level of gloss required in the shortest time. For dry use only.

Product Specifications	
Size	1 Litre
Product Code(s)	P2X101 or PRV101



FARECLA PROFILE FINISH LIQUID COMPOUND

Profile 500 PRODUCT CODE: PRO500-1100

Profile Finish is a very fine finishing compound designed to remove any light swirl marks and holograms from high quality painted lacquered and gel coat surfaces to leave the ultimate high gloss finish. It will not scratch and is particularly good on soft coatings which are susceptible to swirl marks.

Product Specifications	
Size(s)	1 Litre or 5 Litre
Product Code(s)	PRO500-1100 OR PRF101



FARECLA 8" TWISTED WOOL COMPOUNDING PAD

Double Sided

The Twisted Wool Compounding Pad is a 4 ply, 100% wool applicator. It has the highest cut of any applicator. Double sided pads are ideal for when polishing different coloured surfaces or using different products and you do not want contamination.



FARECLA 8" LAMBSWOOL COMPOUNDING PAD

Double Sided

The G Mop Lambs Wool Pad is a 100% natural product (sustainable). It gives a high cut and great finish, depending on the product used.

Products may vary slightly from the images provided.

UNIKA ACCESSORIES



UNIKA SOLID SURFACE COMPOSITE AND CARE KIT

Solid Surface Aftercare Kit includes everything required to look after a Solid Surface Worktop and keep it looking as good as new. This Kit includes Solid Surface Daily Cleaner and Solid Surface Rejuvenate for stains and scratches.

Each kit contains:

- 1 x 500ml Solid Surface Rejuvenate
- 1 x 500ml Solid Surface Daily Cleaner
- 1 x Microfibre Cloth
- 1 x Disposable gloves
- 1 x Sanding Foam Pad
- 1 x Abrasive Disc Pad - White
- 1 x Abrasive Disc Pad - Maroon
- 1 x Abrasive Disc Pad - Grey
- 1 x Care & Maintenance Guide



UNIKA SOLID SURFACE REJUVENATE

Solid Surface Rejuvenate will renovate Acrylic Solid Surface worktops. It is designed to remove minor scratches from solid surface worktops and leave the worktop as good as new. Solid Surface Rejuvenate contains mild abrasive particles which when coupled with a white nylon pad will buff up the work surface. Solid Surface Rejuvenate is a ready to use specialist cleaner, that will renovate the work surface safely.

Product Specifications	
Size	500ml



UNIKA SOLID SURFACE DAILY CLEANER

Unika Solid Surface Worktop Cleaner is a ready to use everyday specialist cleaner, which tackles everyday grease and grime. Cleans worktop safely and is biodegradable. Cleans worktops without leaving smears to a sparkling clean finish.




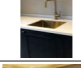



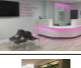
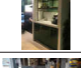












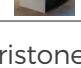
Product Specifications	
Size	500ml

Products may vary slightly from the images provided.




















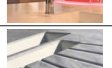








IMAGE CREDITS

As part of our commitment to crediting the work done by our fabricator network, we would like to thank the following for sending us photos of their work for this document.

If you would like to be featured in future publications and/or social media postings, please send your photos with a colour reference to marketing@tristoneuk.com or share them on social media with the hashtag #YourTristoneCreation

Page No:	Product Colour	Image Provided By	Fabrication By	Additional Notes:	Image Preview
2 -3	Latona	Kingsey Kitchens	Kingsey Kitchens	Long Crendon	
4 - 5	Pure White	PSV Design	PSV Design	Uni. of Hull	
6	Pure White	Pennine Joinery	Pennine Joinery		
	Pure White	Total Tops	Total Tops		
	Iris	Wilson Joinery	Wilson Joinery		
8	Pure White	5D Joinery	5D Joinery		
	Pure White	HLF Contracts	HLF Contracts		
	Pure White	Promec Dental	Promec Dental		
9	Carrara Lunar	Tristone UK Limited	The Joinery Shop		
	Moria	Tristone UK Limited	Total Tops	Kent Blaxill, Essex	
	Pure White	Tristone UK Limited	Pinnacle Worksurfaces	DHP Home Improvements	
	Pure White	Vie Surfaces	Vie Surfaces	Mobalpa, Warrington	
	Antelope Canyon	Tristone UK Limited	KCM Tops	Wittering West	
	Snow Pearl	Teddy Kitchens	Teddy Kitchens		
10-11	Latona	Tristone UK Limited	WT Laminates	Complete Kitchens	
	Pure White	Amelia Hallsworth	Fabrico Interiors	ameliahallsworth.com	
	Pure White	Tristone UK Limited	Total Tops	Kent Blaxill, Essex	
15	Glacier Peak	Lion ChemTech Co. Ltd	-		
	Latona	Seamless Solid Surfaces	Seamless Solid Surfaces		
16	Pure White	NJ Design	NJ Design Solid Surface		
	Rocky Mountain	Tristone UK Limited	Ablutions Luxury Bathrooms	Ablutions Luxury Bathrooms	
	Pure White	The Great British Worktop Co.	The Great British Worktop Co.		
	Chalcedony	Tristone UK Limited	Stanex Fabrications		

#YourTristoneCreation

Page No:	Product Colour	Image Provided By	Fabrication By	Additional Notes:	Image Preview
17	Pure White	Barbury Kitchens	Barbury Kitchens		
	Pure White	Solid Surface North East	Solid Surface North East		
	Grise	The Modern Kitchen Company	The Modern Kitchen Company		
20-21	Pure White	5D Joinery	5D Joinery		
	Pure White	Amelia Hallsworth	Fabrico Interiors	ameliahallsworth.com	
22-23	Pure White	Tristone UK Limited			
	Pure White	Tristone UK Limited	HLF Contracts		
	Pure White	HLF Contracts	HLF Contracts		
24-25	Pure White	Tristone UK Limited			
	Latona	Lynn Palmer Architects	Kingsey Kitchens		
	Latona	Lynn Palmer Architects	Kingsey Kitchens		
26-27	Latona	Lynn Palmer Architects	Kingsey Kitchens		
	Pure White	PSV Design	PSV Design		
	Pure White		Seamless Solid Surfaces		
29	Iris	Chris Leah	Seamless Solid Surfaces		
	Grise		Seamless Solid Surfaces		
	Frost Quartz	Tristone UK Limited	Total Tops	Kent Blaxill, Essex	
32-33	Pure White	Divine Solid Surfaces	Divine Solid Surfaces		
	Frost Land	Chris Leah	Seamless Solid Surfaces		
34	Pure White	Tristone UK Limited	Pinnacle Worksurfaces	DHP Home Improvements	
	Carrara Lunar	Wilson Joinery	Wilson Joinery		
36	Grise	Edge Bespoke Joinery	Edge Bespoke Joinery		
	French Roast	The Modern Kitchen Company	The Modern Kitchen Company		
37	Grise	Edge Bespoke Joinery	Edge Bespoke Joinery		
	Shell	Prestige Worksurfaces	Prestige Worksurfaces		
42	Glacier Peak	Lion ChemTech Co. Ltd	-		
	Snow Range	Tristone UK Limited	Nurlex	Fine Finish Furniture	
43	Snow Range	Tristone UK Limited	Nurlex	Fine finish Furniture	

Tristone UK Limited
Unit 3, Orde Wingate Way
Primrose Hill Industrial Estate
Stockton On Tees
TS19 0GA

e. sales@tristoneuk.com
t. +44(0)1642 616880

Copyright © Tristone UK Limited. All rights reserved.
Tristone by Lion Surfaces and its logos are registered trademarks of Tristone UK Limited in the United Kingdom.